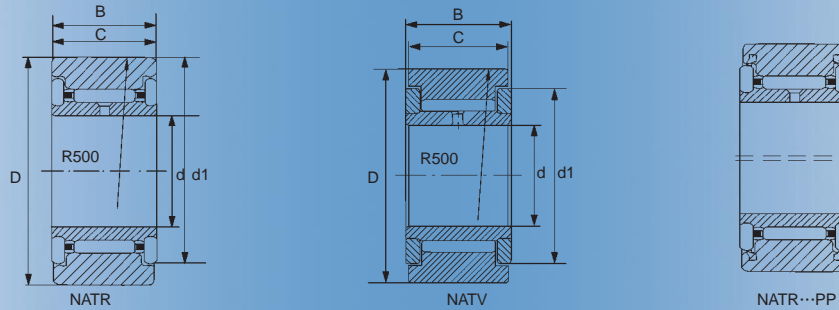


Needle Yoke Type Track Rollers

(with Axial guidance)



Shaft Diameter	Bearing Designation		Boundary Dimensions						Basic Load Rating				Limiting Speed rpm
	Without seals	With Seals	d	D	B	C	d1	rs	Dynamic	Static	As yoke type track rollers		
			mm						min	N			
mm													
16	NATR 5	NATR 5 PP	5	16	12	11	12	0.15	3800	3750	3150	3300	*22000
	NATV 5	NATV 5 PP	5	16	12	11	12	0.15	6400	8500	4850	6500	8500
19	NATR 6	NATR 6 PP	6	19	12	11	14	0.15	4250	4600	3500	3900	*20000
	NATV 6	NATV 6 PP	6	19	12	11	14	0.15	7300	10800	5500	7900	7000
24	NATR 8	NATR 8 PP	8	24	15	14	19	0.3	6800	7700	5500	6400	*15000
	NATV 8	NATV 8 PP	8	24	15	14	19	0.3	10400	15600	7800	11400	5500
30	NATR 10	NATR 10 PP	10	30	15	14	23	0.6	8100	9700	6800	8400	11000
	NATV 10	NATV 10 PP	10	30	15	14	23	0.6	12200	19000	9500	14600	4500
32	NATR 12	NATR 12 PP	12	32	15	14	25	0.6	8700	11000	6900	8800	9000
	NATV 12	NATV 12 PP	12	32	15	14	25	0.6	13200	21700	9700	15400	3900
35	NATR 15	NATR 15 PP	15	35	19	18	27	0.6	12900	19000	9700	14100	7000
	NATV 15	NATV 15 PP	15	35	19	18	27	0.6	18300	35000	12800	23000	3400
40	NATR 17	NATR 17 PP	17	40	21	20	32	1	14200	20400	10900	15500	6000
	NATV 17	NATV 17 PP	17	40	21	20	32	1	21000	39500	14800	26500	2900
47	NATR 20	NATR 20 PP	20	47	25	24	37	1	19500	32000	15500	25500	4900
	NATV 20	NATV 20 PP	20	47	25	24	37	1	28000	59000	20600	42000	2600
52	NATR 25	NATR 25 PP	25	52	25	24	42	1	21200	38000	15400	26500	3600
	NATV 25	NATV 25 PP	25	52	25	24	42	1	31000	72000	20500	44000	2100
62	NATR 30	NATR 30 PP	30	62	29	28	51	1	34000	59000	23600	38500	2600
	NATV 30	NATV 30 PP	30	62	29	28	51	1	48500	108000	30500	63000	1700
72	NATR 35	NATR 35 PP	35	72	29	28	58	1.1	37000	69000	25500	44500	2000
	NATV 35	NATV 35 PP	35	72	29	28	58	1.1	53000	127000	33000	73000	1400
80	NATR 40	NATR 40 PP	40	80	32	30	66	1.1	49000	94000	33000	59000	1700
	NATV 40	NATV 40 PP	40	80	32	30	66	1.1	66000	159000	41000	90000	1300
85	NATR 45	NATR 45 PP	45	85	32	30	72	1.1	51000	101000	32500	59000	1500
90	NATR 50	NATR 50 PP	50	90	32	30	76	1.1	52000	108000	32000	59000	1300
	NATV 50	NATV 50 PP	50	90	32	30	76	1.1	72000	191000	40500	93000	1000

NATR = Caged design, NATV = Full Compliment design