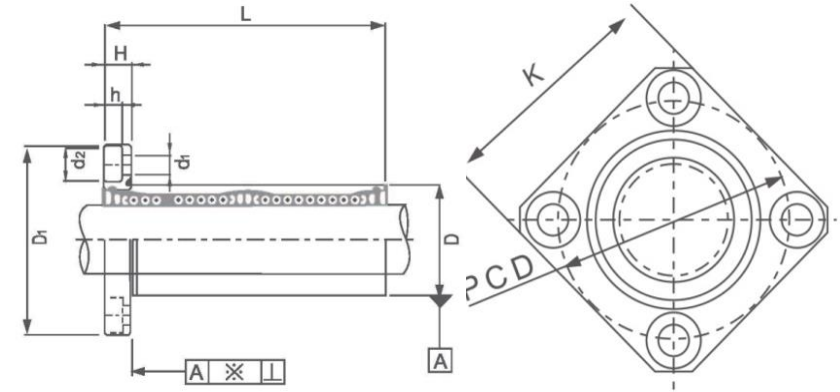


Square Flanged Linear Bearings - Long Version (Asia/Japanese sizes)



Part Number	Inside Diameter (mm)	Tolerance (µm)	Number of Ball Circuits	Outside Diameter D (mm)	Tolerance (µm)	Total Length ±0.3 (mm)	Flange Square Diameter K (mm)	Flange Width H (mm)	Bolt Hole PCD (mm)	Bolt / Bolt Hole Dimensions d1 x d2 x h (mm)	Radial Clearance max (µm)	Static Basic Load Rating (N)	Dynamic Basic Load Rating (N)	Weight (kg)
LMKL6UU	6	0 to -10	4	12	0 to -13	35	22	5	20	3.5x6x3.1	-3	323	529	0.031
LMKL8UU	8		4	15		45	25	5	24	3.5x6x3.1		431	784	0.051
LMKL10UU	10		4	19	0 to -16	55	30	6	29	4.5x7.5x4.1	-4	588	1100	0.098
LMKL12UU	12		4	21		57	32	6	32	4.5x7.5x4.1		813	1570	0.110
LMKL13UU	13		4	23		61	34	6	33	4.5x7.5x4.1		813	1570	0.130
LMKL16UU	16	0 to -12	5	28	0 to -19	70	37	6	38	4.5x7.5x4.1	-6	1230	2350	0.190
LMKL20UU	20		5	32		80	42	8	43	5.5x9x5.1		1400	2740	0.260
LMKL25UU	25		6	40	112	50	8	51	5.5x9x5.1	1560	3140	0.540		
LMKL30UU	30	0 to -15	6	45	0 to -22	123	58	10	60	6.6x11x6.1	-8	2490	5490	0.680
LMKL35UU	35		6	52		135	64	10	67	6.6x11x6.1		2650	6270	1.020
LMKL40UU	40		6	60	151	75	13	78	9x14x8.1	-10	3430	8040	1.570	
LMKL50UU	50	0 to -20	6	80	0 to -25	192	92	13	98	9x14x8.1	-13	6080	15900	3.600
LMKL60UU	60		6	90		209	106	18	112	11x17x11.1		7550	20000	4.500

Key: UU = 2 wiper seals

LMKL..UU Linear Bearing Series have a part flat flange and are manufactured to common Asian dimension standards. The LMKL Series has a longer length than the LMK Series. Flanged linear bearings are most commonly used in light-duty applications, which include food processing machinery, conveyors, material handling, textile machines, baggage systems and medical processing.