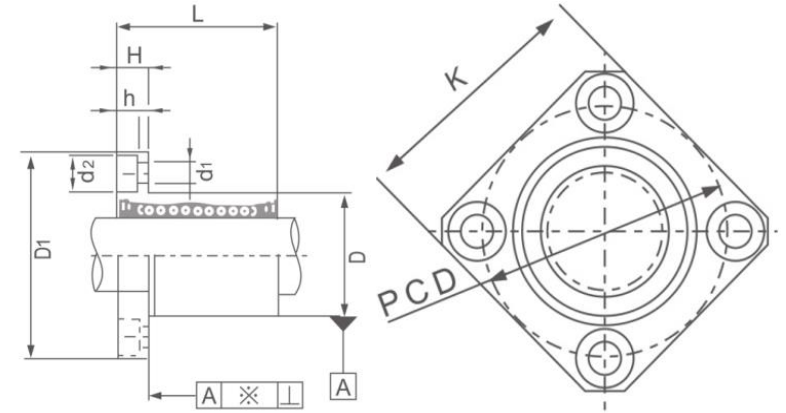




Square Flanged Linear Bearing (Asia/Japanese sizes)



Part Number	Inside Diameter dr (mm)	Tolerance (µm)	Number of Ball Circuits	Outside Diameter D (mm)	Tolerance (µm)	Total Length ±0.3 L (mm)	Flange Square Outer Diameter K (mm)	Flange Width H (mm)	PCD (mm)	Bolt / Bolt Hole Dimensions d1 x d2 x h (mm)	Radial Clearance max (µm)	Static Basic Load Rating (N)	Dynamic Basic Load Rating (N)	Weight (kg)
LMK6UU	6	0 to -9	4	12	0 to -11	19	22	5	20	3.5x6x3.1	-3	206	265	0.024
LMK8UU	8		4	15		24	25	5	24	3.5x6x3.1		274	392	0.037
LMK10UU	10		4	19	0 to -13	29	30	6	29	4.5x7.5x4.1	-4	372	549	0.072
LMK12UU	12		4	21		30	32	6	32	4.5x7.5x4.1		510	784	0.076
LMK13UU	13		4	23		32	34	6	33	4.5x7.5x4.1		510	784	0.088
LMK16UU	16		5	28	37	37	6	38	4.5x7.5x4.1	-6	774	1180	0.120	
LMK20UU	20	0 to -10	5	32	0 to -16	42	42	8	43		5.5x9x5.1	882	1370	0.180
LMK25UU	25		6	40		59	50	8	51	5.5x9x5.1	980	1570	0.340	
LMK30UU	30		6	45		64	58	10	60	6.6x11x6.1	-8	1570	2740	0.470
LMK35UU	35	6	52	70	64	10	67	6.6x11x6.1	1670	3140		0.650		
LMK40UU	40	0 to -12	6	60	0 to -19	80	75	13	78	9x14x8.1	-10	2160	4020	1.060
LMK50UU	50		6	80		100	92	13	98	9x14x8.1		-13	3820	7940
LMK60UU	60	0 to -15	6	90	0 to -22	110	106	18	112	11x17x11.1	4700		10000	3.000

Key: UU = 2 wiper seals

LMK..UU Linear Bearing Series have a square flange and are manufactured to common Asian dimension standards. Flanged linear bearings are most commonly used in light-duty applications, which include food processing machinery, conveyors, material handling, textile machines, baggage systems and medical processing.