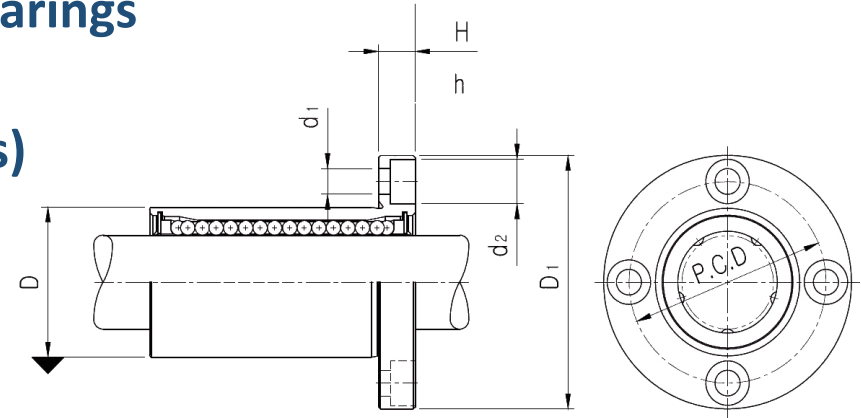


Round Flanged Linear Bearings Long version (Asia/Japanese sizes)



Part Number	Inside Diameter (mm)	Tolerance (µm)	Number of Ball Circuits	Outside Diameter D (mm)	Tolerance (µm)	Total Length ±0.3 (mm)	Flange Outer Diameter D1 (mm)	Flange Width H (mm)	Bolt Hole PCD (mm)	Bolt / Bolt Hole Dimensions d1 x d2 x h (mm)	Radial Clearance max (µm)	Static Basic Load Rating (N)	Dynamic Basic Load Rating (N)	Weight (kg)
LMFL6UU	6	0 to -10	4	12	0 to -13	35	28	5	20	3.5x6x3.1	-3	323	529	0.031
LMFL8UU	8		4	15		45	32	5	24	3.5x6x3.1		431	784	0.051
LMFL10UU	10		4	19	0 to -16	55	40	6	29	4.5x7.5x4.1	-4	588	1100	0.098
LMFL12UU	12		4	21		57	42	6	32	4.5x7.5x4.1		813	1570	0.110
LMFL13UU	13		4	23		61	43	6	33	4.5x7.5x4.1		813	1570	0.130
LMFL16UU	16		5	28		70	48	6	38	4.5x7.5x4.1		1230	2350	0.190
LMFL20UU	20	0 to -12	5	32	0 to -19	80	54	8	43	5.5x9x5.1	-6	1400	2740	0.260
LMFL25UU	25		6	40		112	62	8	51	5.5x9x5.1		1560	3140	0.540
LMFL30UU	30		6	45		123	74	10	60	6.6x11x6.1		2490	5490	0.680
LMFL35UU	35	0 to -15	6	52	0 to -22	135	82	10	67	6.6x11x6.1	-8	2650	6270	1.020
LMFL40UU	40		6	60		151	96	13	78	9x14x8.1		3430	8040	1.570
LMFL50UU	50		6	80		192	116	13	98	9x14x8.1		6080	15900	3.600
LMFL60UU	60	0 to -20	6	90	0 to -25	209	134	18	112	11x17x11.1	-13	7550	20000	4.500

Key: UU = 2 wiper seals

The LMFL..UU Flanged Linear Bearing Series have a round flange and are manufactured to common Asian dimension standards. The LMFL series is based on the LMF range, but longer and therefore they have a higher load capacity.