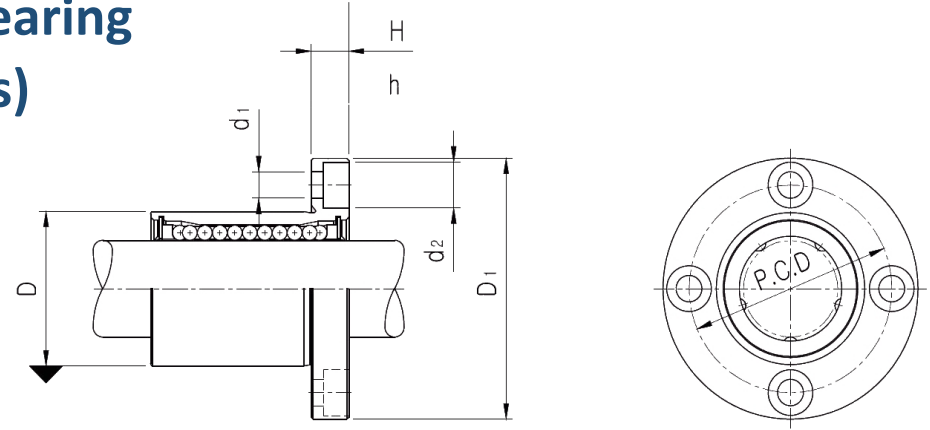




Round Flanged Linear Bearing (Asia/Japanese sizes)



Part Number	Inside Diameter (mm)	Tolerance (μm)	Number of Ball Circuits	Outside Diameter D (mm)	Tolerance (μm)	Total Length ±0.3 (mm)	Flange Outer Diameter D1 (mm)	Flange Width H (mm)	Bolt Hole PCD (mm)	Bolt / Bolt Hole Dimensions d1 x d2 x h (mm)	Radial Clearance max (μm)	Static Basic Load Rating (N)	Dynamic Basic Load Rating (N)	Weight (kg)	
LMF6UU	6	0 to -9	4	12	0 to -11	19	28	5	20	3.5x6x3.1	-3	206	265	0.024	
LMF8UU	8		4	15		24	32	5	24	3.5x6x3.1		274	392	0.037	
LMF10UU	10		4	19	0 to -13	29	40	6	29	4.5x7.5x4.1	-4	372	549	0.072	
LMF12UU	12		4	21		30	42	6	32	4.5x7.5x4.1		510	784	0.076	
LMF13UU	13		4	23		32	43	6	33	4.5x7.5x4.1		510	784	0.088	
LMF16UU	16		5	28		37	48	6	38	4.5x7.5x4.1		774	1180	0.120	
LMF20UU	20	0 to -10	5	32	0 to -16	42	54	8	43	5.5x9x5.1	-6	882	1370	0.180	
LMF25UU	25		6	40		59	62	8	51	5.5x9x5.1		980	1570	0.340	
LMF30UU	30		6	45		64	74	10	60	6.6x11x6.1		1570	2740	0.470	
LMF35UU	35	0 to -12	6	52	0 to -19	70	82	10	67	6.6x11x6.1	-8	1670	3140	0.650	
LMF40UU	40		6	60		80	96	13	78	9x14x8.1		-10	2160	4020	1.060
LMF50UU	50		6	80		100	116	13	98	9x14x8.1		-13	3820	7940	2.200
LMF60UU	60	0 to -15	6	90	0 to -22	110	134	18	112	11x17x11.1	4700		10000	3.000	

Key: UU = 2 wiper seals

LMF..UU Linear Bearing Series have a round flange and are manufactured to common Asian dimension standards. Flanged linear bearings are most commonly used in light-duty applications, which include food processing machinery, conveyors, material handling, textile machines, baggage systems and medical processing.