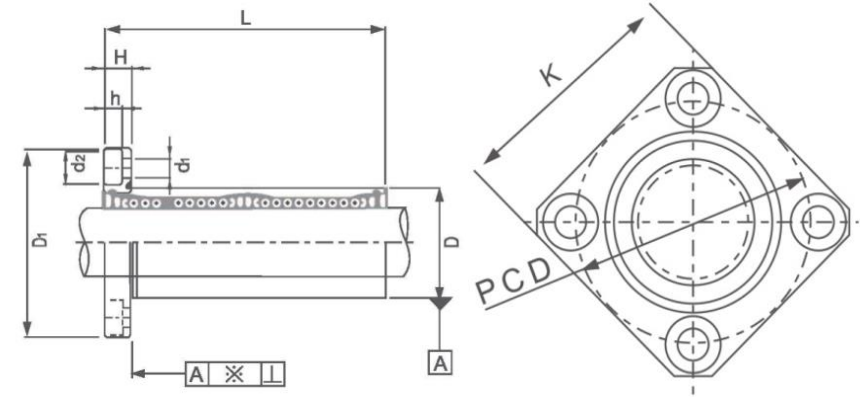


## Square Flanged Linear Bearings Long Version (European sizes)



Part Number	Inside Diameter (mm)	Tolerance (µm)	Number of Ball Circuits	Outside Diameter D (mm)	Tolerance (µm)	Total Length ±0.3 (mm)	Flange Square Diameter K (mm)	Flange Width (mm)	Bolt Hole PCD (mm)	Bolt / Bolt Hole Dimensions d1 x d2 x h (mm)	Radial Clearance max (µm)	Static Basic Load Rating (N)	Dynamic Basic Load Rating (N)	Weight (kg)
LMEKL8UU	8	+9 to -1	4	16	0 to -13	46	25	5	24	3.5x6x3.1	-3	421	804	0.059
LMEKL12UU	12		4	22	0 to -16	61	32	6	32	4.5x7.5x4.1	-4	813	1570	0.110
LMEKL16UU	16	+11 to -1	5	26		68	35	6	36	4.5x7.5x4.1		-6	921	1780
LMEKL20UU	20		5	32	0 to -19	80	42	8	43	5.5x9x5.1	-8		1370	2740
LMEKL25UU	25	+13 to -2	6	40		112	50	8	51	5.5x9x5.1		-13	1570	3140
LMEKL30UU	30		6	47	123	60	10	62	6.6x11x6.1	-13	2500		5490	0.815
LMEKL40UU	40	+16 to -4	6	62	0 to -22	151	75	13	80		9x14x8.1	-13	3430	8040
LMEKL50UU	50		6	75		192	88	13	94	9x14x8.1	-13		6080	15900
LMEKL60UU	60		6	90	0 to -25	209	106	18	112	11x17x11.1		7550	20000	4.920

Key: UU = 2 wiper seals

LMEKL..UU Linear Bearing Series have a square flange and are manufactured to common European dimension standards, the LMEFL is the longer version. Flanged linear bearings are most commonly used in light-duty applications, which include food processing machinery, conveyors, material handling, textile machines, baggage systems and medical processing.