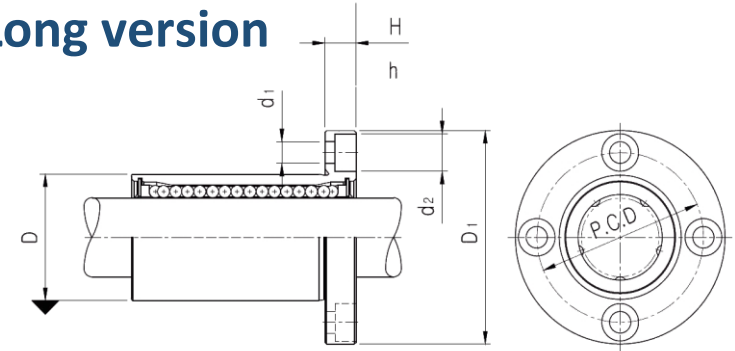


# MIDLAND BEARINGS



## Round Flanged Linear Bearings - Long version (European sizes)



Part Number	Inside Diameter (mm)	Tolerance (µm)	Number of Ball Circuits	Outside Diameter D (mm)	Tolerance (µm)	Total Length ±0.3 (mm)	Flange Outer Diameter D1 (mm)	Flange Width H (mm)	Bolt Hole PCD (mm)	Bolt / Bolt Hole Dimensions d1 x d2 x h (mm)	Radial Clearance max (µm)	Static Basic Load Rating (N)	Dynamic Basic Load Rating (N)	Weight (kg)
LMEFL8UU	8	+9 to -1	4	16	0 to -13	46	32	5	24	3.5x6x3.1	-3	421	804	0.059
LMEFL12UU	12		4	22	0 to -16	61	42	6	32	4.5x7.5x4.1	-4	813	1570	0.110
LMEFL16UU	16	+11 to -1	5	26		68	46	6	36	4.5x7.5x4.1		-6	921	1780
LMEFL20UU	20		5	32	80	54	8	43	5.5x9x5.1	1370	2740		0.260	
LMEFL25UU	25	+13 to -2	6	40	0 to -19	112	62	8	51	5.5x9x5.1	-8	1570	3140	0.540
LMEFL30UU	30		6	47		123	76	10	62	6.6x11x6.1		2500	5490	0.815
LMEFL40UU	40	+16 to -4	6	62	0 to -22	151	98	13	80	9x14x8.1	-13	3430	8040	1.805
LMEFL50UU	50		6	75		192	112	13	94	9x14x8.1		6080	15900	2.820
LMEFL60UU	60		6	90	0 to -25	209	134	18	112	11x17x11.1	7550	20000	4.920	

Key: UU = 2 wiper seals

LMEFL..UU Linear Bearing Series have a round flange and are manufactured to common European dimension standards, the LMEFL is the longer version. Flanged linear bearings are most commonly used in light-duty applications, which include food processing machinery, conveyors, material handling, textile machines, baggage systems and medical processing.