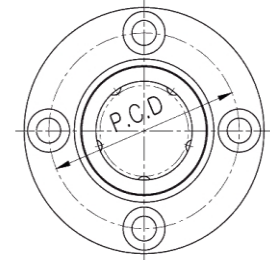
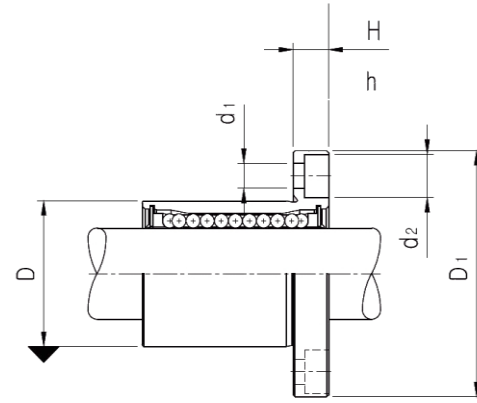




Round Flanged Linear Bearing (European sizes)



Part Number	Inside Diameter (mm)	Tolerance (µm)	Number of Ball Circuits	Outside Diameter D (mm)	Tolerance (µm)	Total Length ±0.3 (mm)	Flange Outer Diameter D1 (mm)	Flange Width H (mm)	Bolt Hole PCD (mm)	Bolt / Bolt Hole Dimensions d1 x d2 x h (mm)	Radial Clearance max (µm)	Static Basic Load Rating (N)	Dynamic Basic Load Rating (N)	Weight (kg)
LMEF8UU	8	+8 to 0	4	16	0 to -11	25	32	5	24	3.5x6x3.1	-3	265	402	0.041
LMEF12UU	12		4	22	0 to -13	32	42	6	32	4.5x7.5x4.1	-4	510	784	0.080
LMEF16UU	16	+9 to -1	5	26		36	46	6	35	4.5x7.5x4.1		-6	578	892
LMEF20UU	20		5	32	0 to -16	45	54	8	42	5.5x9x5.1	-6		862	1370
LMEF25UU	25	+11 to -1	6	40		58	62	8	50	5.5x9x5.1		-8	980	1570
LMEF30UU	30		6	47	0 to -19	68	76	10	60	6.6x11x6.1	-8		1570	2740
LMEF40UU	40	+13 to -2	6	62		80	98	13	75	9x14x8.1		-13	2160	4020
LMEF50UU	50		6	75	100	112	13	88	9x14x8.1	-13	3820		7940	1.745
LMEF60UU	60	6	90	0 to -22	125	134	18	105	11x17x11.1		4700	9800	3.220	

Key: UU = 2 wiper seals

LMEF..UU Linear Bearing Series have a round flange and are manufactured to common European dimension standards. Flanged linear bearings are most commonly used in light-duty applications, which include food processing machinery, conveyors, material handling, textile machines, baggage systems and medical processing.