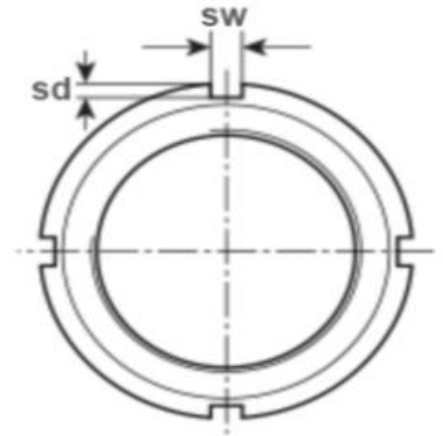
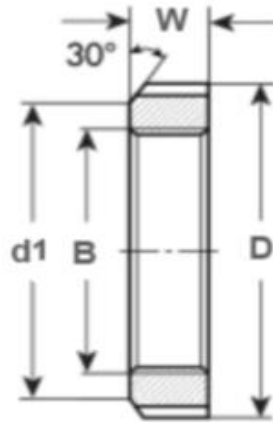


## METRIC LOCK NUTS - KML SERIES



Part Number	B	D	W	d1	sw	sd	Axial static load capacity	Weight (kg)
KML24	M120x2	145	20	135	12	5	252kN	0.810
KML26	M130x2	155	21	145	12	5	275kN	0.920
KML28	M140x2	165	22	155	12	5	290kN	1.000
KML30	M150x3	180	24	170	14	5	390kN	1.500
KML32	M160x3	190	25	180	14	5	395kN	1.700
KML34	M170x3	200	26	190	16	5	410kN	1.800
KML36	M180x3	210	27	200	16	5	430kN	2.000
KML38	M190x3	220	28	210	16	5	455kN	2.200
KML40	M200x3	240	29	222	18	8	595kN	3.100

The KML Series of Locknuts have a lower sectional height, but are still Right Hand Threads. They are most often used with Lock Washers and with adaptor sleeves of the H30-- Series.