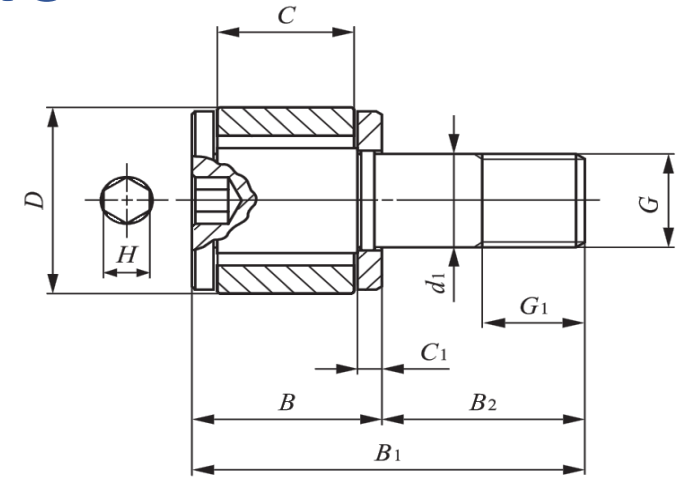


# CFS Series Miniature Cam Followers

Full Complement Type with Hex Head



Part Number	Dimensions (mm)										Basic Dynamic Load Rating C	Basic Dynamic Load Rating C <sub>0</sub>	Maximum Static Load	Weight
	D	C	d1	G1	B	G	B1	B2	C1	H	N	N	N	(g)
CFS1.4WV	4	1.7	1.40	1.4	3.7	M1.4x0.3	7	3.3	0.7	0.9	450	370	110	0.35
CFS2V	4.5	2.5	2.00	2	4	M2x0.4	8	4	0.7	0.9	740	710	230	0.6
CFS2.5V	5	3	2.50	2.5	4.5	M2.5x0.45	9.5	5	0.7	0.9	970	1050	360	1
CFS3V	6	4	3.00	3	5.5	M3x0.5	11.5	6	0.7	1.3	1360	1710	470	2
CFS4V	8	5	4.00	4	7	M4x0.7	15	8	1	1.5	2320	2870	900	4
CFS5V	10	6	5.00	5	8	M5x0.8	18	10	1	2	3080	4600	1520	7
CFS6V	12	7	6.00	6	9.5	M6x1	21.5	12	1.2	2.5	4450	6030	2090	13

The CFS Series has no oil hole, so is provided with prepacked grease