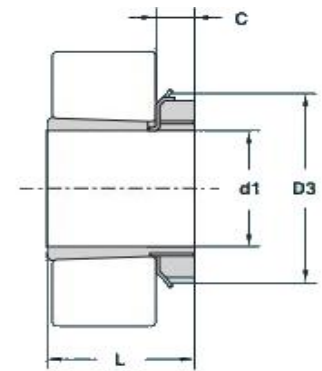


Adaptor Sleeves - Metri

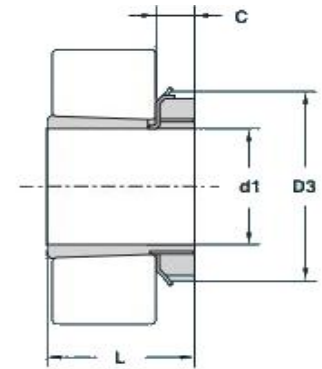
H2-- / H3-- / H23-- / H3---- / HE2-- / HE3-- / HE23-- / HE3----



SLEEVE PART NUMBER H = METRIC HE = IMPERIAL	d1		L mm	D3 mm	C mm	WEIGHT kg
	H mm	HE in				
H204	17	-	24	32	7	0.041
H205	20	3/4	26	38	8	0.070
H206	25	1	27	45	8	0.099
H207	30	-	29	52	9	0.125
H208	35	1.1/4	31	58	10	0.174
H209	40	1.1/2	33	65	11	0.227
H210	45	1.3/4	35	70	12	0.274
H211	50	2	37	75	12	0.308
H212	55	-	38	80	13	0.346
H213	60	2.1/4	40	85	14	0.401
H215	65	2.1/2	43	98	15	0.707
H216	70	2.3/4	46	105	17	0.882
H217	75	3	50	110	18	1.020
H218	80	-	52	120	18	1.190
H219	85	-	55	125	19	1.370
H220	90	3.1/2	58	130	20	1.490
H222	100	4	63	145	21	1.930

Adaptor Sleeves - Metri

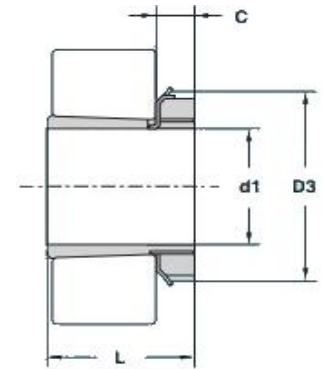
H2-- / H3-- / H23-- / H3---- / HE2-- / HE3-- / HE23-- / HE3----



SLEEVE PART NUMBER H = METRIC HE = IMPERIAL	d1		L mm	D3 mm	C mm	WEIGHT kg
	H mm	HE in				
H304	17	-	28	32	7	0.045
H305	20	3/4	29	38	8	0.075
H306	25	1	31	45	8	0.109
H307	30	-	35	52	9	0.142
H308	35	1.1/4	36	58	10	0.189
H309	40	1.1/2	39	65	11	0.248
H310	45	1.3/4	42	70	12	0.303
H311	50	2	45	75	12	0.345
H312	55	2.1/8	47	80	13	0.394
H313	60	2.1/4	50	85	14	0.458
H315	65	2.1/2	55	98	15	0.831
H316	70	2.3/4	59	105	17	1.030
H317	75	-	63	110	18	1.180
H318	80	-	65	120	18	1.370
H319	85	-	68	125	19	1.560
H320	90	-	71	130	20	1.690
H322	100	4	77	145	21	2.180

Adaptor Sleeves - Metric

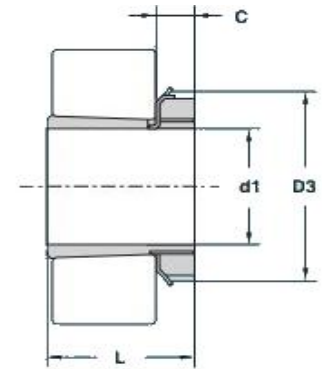
H2-- / H3-- / H23-- / H3---- / HE2-- / HE3-- / HE23-- / HE3----



SLEEVE PART NUMBER H = METRIC HE = IMPERIAL	d1		L mm	D3 mm	C mm	WEIGHT kg
	H mm	HE in				
H2304	17	-	31	32	7	0.049
H2305	20	3/4	35	38	8	0.087
H2306	25	1	38	45	8	0.126
H2307	30	-	43	52	9	0.165
H2308	35	1.1/4	46	58	10	0.224
H2309	40	1.1/2	50	65	11	0.280
H2310	45	1.3/4	55	70	12	0.362
H2311	50	2	59	75	12	0.420
H2312	55	-	62	80	13	0.481
H2313	60	2.1/4	65	85	14	0.557
H2315	65	2.1/2	73	98	15	1.050
H2316	70	2.3/4	78	105	17	1.280
H2317	75	3	82	110	18	1.450
H2318	80	-	86	120	18	1.690
H2319	85	-	90	125	19	1.920
H2320	90	3.1/2	97	130	20	2.150
H2322	100	4	105	145	21	2.740
H2324	110	4.1/4	112	155	22	3.190
H2326	115	4.1/2	121	165	23	4.600
H2328	125	5	131	180	24	5.550
H2330	135	5.1/4	139	195	26	6.630
H2332	140	5.1/2	147	210	28	9.140
H2334	150	6	154	220	29	10.200
H2336	160	6.1/2	161	230	30	11.300
H2338	170	6.3/4	169	240	31	12.600
H2340	180	7	176	250	32	13.900
H2344	200	-	183	280	35	16.700
H2348	220	-	199	300	37	19.700

Adaptor Sleeves - Metric

H2-- / H3-- / H23-- / H3---- / HE2-- / HE3-- / HE23-- / HE3----



SLEEVE PART NUMBER H = METRIC HE = IMPERIAL	d1		L mm	D3 mm	C mm	WEIGHT kg
	H mm	HE in				
H3024	110	-	72	145	22	1.930
H3026	115	-	80	155	23	2.850
H3028	125	-	82	165	24	3.160
H3030	135	-	87	180	26	3.890
H3032	140	-	93	190	28	5.210
H3034	150	-	101	200	29	5.990
H3036	160	-	109	210	30	6.830
H3038	170	-	112	220	31	7.450
H3040	180	-	120	240	32	9.190
H3044	200	-	126	260	30	10.300
H3048	220	-	133	290	34	13.200
H3124	110	4.1/4	88	155	22	2.640
H3126	115	4.1/2	92	165	23	3.660
H3128	125	5	97	180	24	4.340
H3130	135	5.1/4	111	195	26	5.520
H3132	140	5.1/2	119	210	28	7.670
H3134	150	6	122	220	29	8.380
H3136	160	6.1/2	131	230	30	9.500
H3138	170	6.3/4	141	240	31	10.800
H3140	180	7	150	250	32	12.100
H3144	200	-	161	280	35	14.700
H3148	220	-	172	300	37	17.300