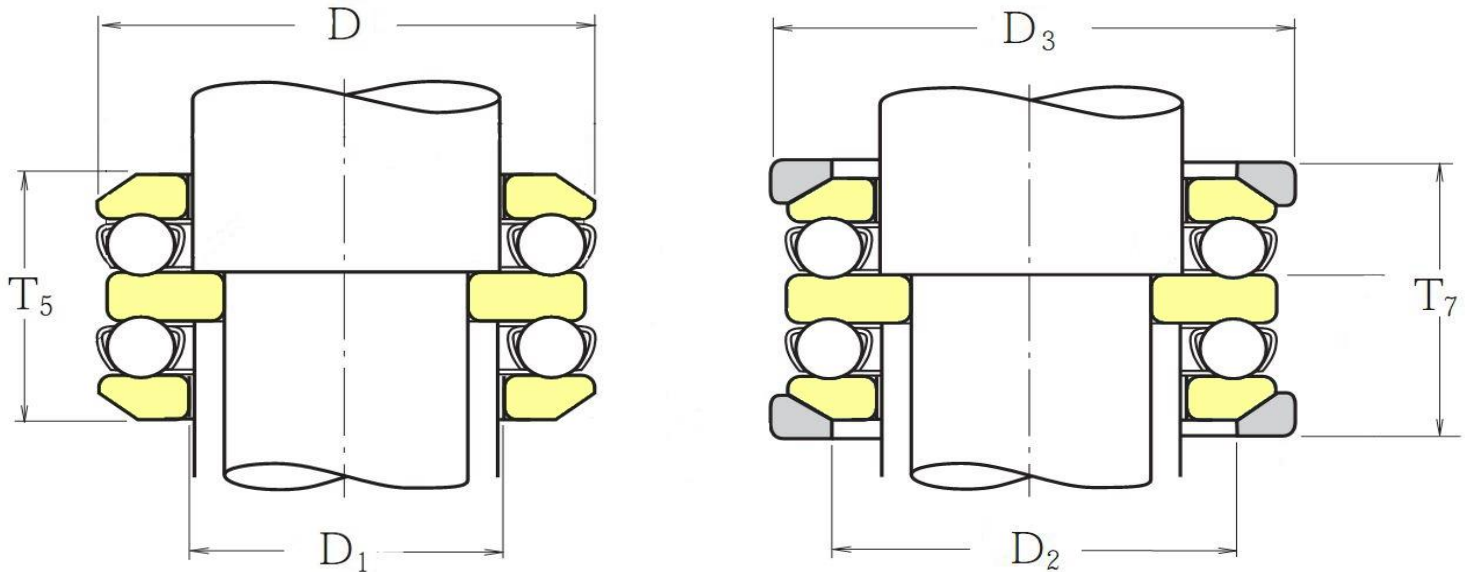


DOUBLE ROW THRUST BALL BEARINGS WITH SEATING RINGS



Part Number	Dimensions (mm)							Load Ratings (N)		Limiting Speed		Weight (kg)
	d	D1	D	D3	T5	T1	T7	Dynamic Ca	Static Coa	Grease	Oil	
	Bore		OD		Width							
54206U	25	32	52	55	32.6	29	37	28300	57800	3200	4900	0.345
54306U	25	32	60	62	41.3	38	46	42500	78200	2400	3900	0.621
54207U	30	37	62	65	37.8	34	42	38900	74700	2600	4000	0.570
54307U	30	37	68	72	47.2	44	52	54900	99800	2200	3300	0.915
54208U	30	42	68	72	38.6	36	44	46900	95600	2500	3500	0.713
54308U	30	42	78	82	54	49	59	67500	135000	2000	2700	1.380
54209U	35	47	73	78	39.6	37	45	46000	101800	2400	3500	0.823
54309U	35	47	85	90	56.2	52	62	79400	154900	1800	2600	1.710
54409U	35	47	100	105	78.9	72	86	123700	234800	1400	2100	3.530
54210U	40	52	78	82	42	39	47	48800	107500	2300	3200	0.949
54310U	40	52	95	100	64.6	58	70	93200	194000	1700	2600	2.460
54410U	40	52	110	115	83.2	78	92	142500	284900	1300	1800	4.450
54211U	45	57	90	95	49.6	45	55	68400	154600	1900	2700	1.550
54312U	50	62	110	110	70.6	64	78	110200	243600	1400	2100	3.450
54317U	70	88	150	155	95.2	87	105	210900	480500	1100	1500	10.500