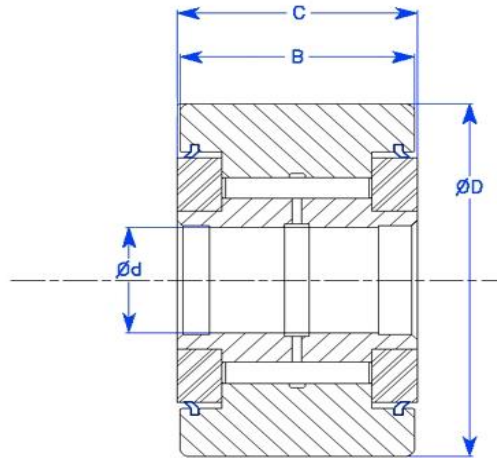


CYR-S SERIES - IMPERIAL YOKE TYPE SEALED CAM FOLLOWER



Cylindrical Outside

Full Complement

Black Oxide Finish



Part Number	D Outer Roller Diameter (inch)	B Roller Width (inches)	d Bore Diameter (inches)	C Overall Width (inches)	Dynamic Load Rating (N)	Static Load Rating (N)	Weight (kg)
CYR3/4-S	0.750	0.500	0.250	0.5625	7384	4130	0.0270
CYR7/8-S	0.875	0.500	0.250	0.5625	7384	4130	0.0360
CYR1-S	1.000	0.625	0.3125	0.6875	2225	6120	0.0680
CYR1.1/8-S	1.125	0.625	0.3125	0.6875	2225	6120	0.0770
CYR1.1/4-S	1.250	0.750	0.375	0.8125	3930	8500	0.1100
CYR1.3/8-S	1.375	0.750	0.375	0.8125	3930	8500	0.1360
CYR1.1/2-S	1.500	0.875	0.4375	0.9375	4840	11280	0.1860
CYR1.5/8-S	1.625	0.875	0.4375	0.9375	4840	11280	0.2270
CYR1.3/4-S	1.750	1.000	0.500	1.0625	6385	15840	0.2900
CYR1.7/8-S	1.875	1.000	0.500	1.0625	6385	15840	0.3600
CYR2-S	2.000	1.250	0.625	1.3125	8090	21140	0.4760

