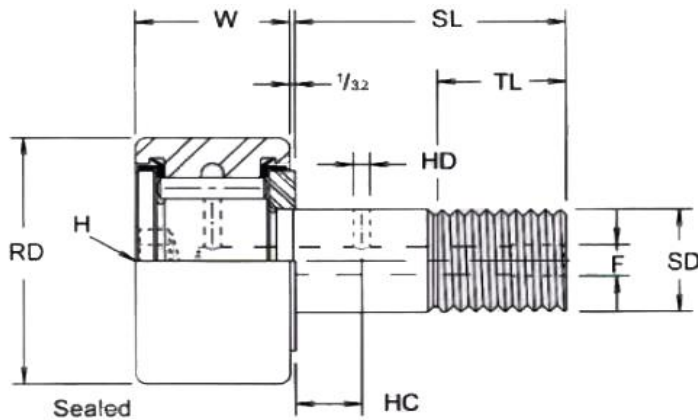


CFH-SB HEAVY SERIES - IMPERIAL CAM FOLLOWER SEALED



Cylindrical Outside
Full Complement
Black Oxide Finish
Hexagon Head



Part Number	RD Roller Diameter (inches)	W Roller Width (inches)	d Stud Diameter (inches)	SL Stud Length (inches)	TL Minimum Thread Length (inches)	Thread Pitch	HC Oil Hole Centre (Inches)	HD Oil Hole Diameter (Inches)	F Grease Hole Diameter (Inches)	Static Load Rating (N)	Dynamic Load Rating (N)	Weight (kg)
CFH1/2-SB	0.500	0.375	0.250	0.625	0.250	1/4-28	-	-	-	7031	3026	0.014
CFH9/16-SB	0.562	0.375	0.250	0.625	0.250	1/4-28	-	-	-	7031	3026	0.020
CFH5/8-SB	0.625	0.437	0.312	0.750	0.312	5/16-24	-	-	-	11036	4250	0.027
CFH3/4-SB	0.750	0.500	0.437	0.875	0.312	7/16-20	1/4	3/32	3/16	18378	7387	0.041
CFH7/8-SB	0.875	0.500	0.437	0.875	0.375	7/16-20	1/4	3/32	3/16	18378	7387	0.050
CFH1-SB	1.000	0.625	0.625	1.000	0.375	5/8-18	1/4	3/32	3/16	27233	9901	0.095
CFH1.1/8-SB	1.125	0.625	0.625	1.000	0.500	5/8-18	1/4	3/32	3/16	27233	9901	0.113
CFH1.1/4-SB	1.250	0.750	0.625	1.000	0.625	3/4-16	5/16	3/32	3/16	37823	17488	0.177
CFH1.3/8-SB	1.375	0.750	0.750	1.250	0.625	3/4-16	5/16	3/32	3/16	37823	17488	0.199
CFH1.1/2-SB	1.500	0.875	0.875	1.500	0.750	7/8-14	3/8	3/32	3/16	50194	21537	0.299
CFH1.5/8-SB	1.625	0.875	0.875	1.500	0.750	7/8-14	3/8	3/32	3/16	50194	21537	0.331
CFH1.3/4-SB	1.750	1.000	1.000	1.750	0.875	1-14	7/16	3/32	3/16	70485	28412	0.462
CFH1.7/8-SB	1.875	1.000	1.000	1.750	0.875	1-14	7/16	3/32	3/16	70485	28412	0.508
CFH2-SB	2.000	1.250	1.125	2.000	1.000	1.1/8-12	1/2	1/8	3/16	94069	35999	0.721
CFH2.1/4-SB	2.250	1.250	1.125	2.000	1.000	1.1/8-12	1/2	1/8	3/16	94069	35999	0.857
CFH2.1/2-SB	2.500	1.500	1.250	2.000	1.125	1.1/4-12	9/16	1/8	3/16	146398	52152	1.247
CFH2.3/4-SB	2.750	1.500	1.250	2.000	1.125	1.1/4-12	9/16	1/8	3/16	146398	52152	1.447
CFH3-SB	3.000	1.750	1.500	2.500	1.250	1.1/2-12	5/8	1/8	1/4	221689	69951	2.068