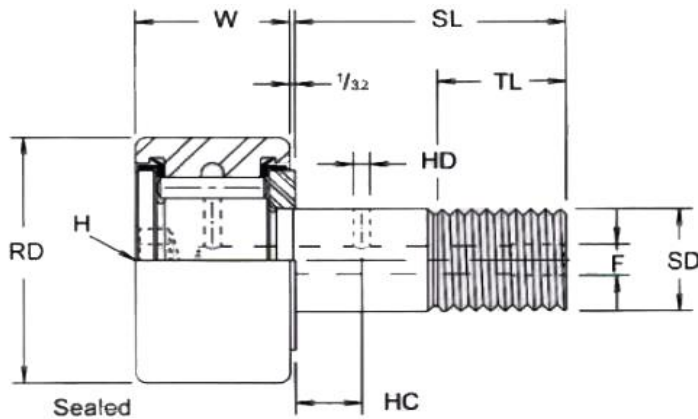


CF-SB SERIES - IMPERIAL CAM FOLLOWER SEALED



Cylindrical Outside

Full Complement

Black Oxide Finish

Hexagon Head



Part Number	RD Roller Diameter (inches)	W Roller Width (inches)	d Stud Diameter (inches)	SL Stud Length (inches)	TL Minimum Thread Length (inches)	Thread Pitch	HC Oil Hole Centre (Inches)	HD Oil Hole Diameter (Inches)	F Grease Hole Diameter (Inches)	Static Load Rating (N)	Dynamic Load Rating (N)	Weight (kg)
CF1/2-N-SB	0.500	0.344	0.190	0.500	0.250	10-32	-	-	-	3203	2758	0.0200
CF1/2-SB	0.500	0.375	0.190	0.625	0.250	10-32	-	-	-	3515	3025	0.0200
CF5/8-N-SB	0.625	0.406	0.250	0.625	0.125	1/4-28	-	-	-	4828	4138	0.0200
CF5/8-SB	0.625	0.4375	0.250	0.750	0.312	1/4-28	-	-	-	5406	4249	0.0200
CF3/4-SB	0.750	0.500	0.375	0.875	0.375	3/8-24	1/4	3/32	3/16	9188	7386	0.0300
CF7/8-SB	0.875	0.500	0.375	0.875	0.375	3/8-24	1/4	3/32	3/16	9188	7386	0.0400
CF1-SB	1.000	0.625	0.4375	1.000	0.500	7/16-20	1/4	3/32	3/16	13616	9900	0.0800
CF1.1/8-SB	1.125	0.625	0.4375	1.000	0.500	7/16-20	1/4	3/32	3/16	13616	9900	0.0900
CF1.1/4-SB	1.250	0.750	0.500	1.250	0.625	1/2-20	5/16	3/32	3/16	18911	17487	0.1700
CF1.3/8-SB	1.375	0.750	0.500	1.250	0.625	1/2-20	5/16	3/32	3/16	18911	17487	0.1900
CF1.1/2-SB	1.500	0.875	0.625	1.500	0.750	5/8-18	3/8	3/32	3/16	25096	21537	0.2400
CF1.5/8-SB	1.625	0.875	0.625	1.500	0.750	5/8-18	3/8	3/32	3/16	25096	21537	0.2700
CF1.3/4-SB	1.750	1.000	0.750	1.750	0.875	3/4-16	7/16	3/32	3/16	35242	30414	0.3800
CF1.7/8-SB	1.875	1.000	0.750	1.750	0.875	3/4-16	7/16	3/32	3/16	35242	30414	0.4300
CF2-SB	2.000	1.250	0.875	2.000	1.000	7/8-14	1/2	1/2	3/16	47034	35998	0.6200
CF2.1/4-SB	2.250	1.250	0.875	2.000	1.000	7/8-14	1/2	1/2	3/16	47034	35998	0.7500