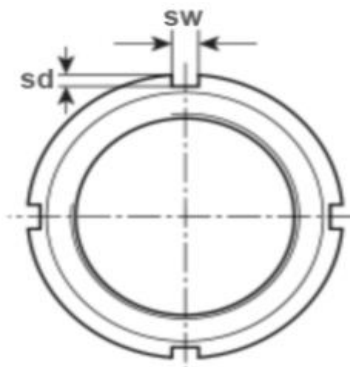
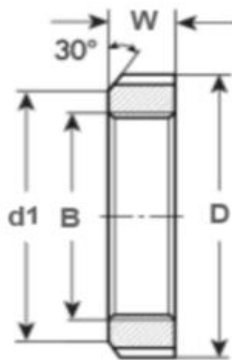
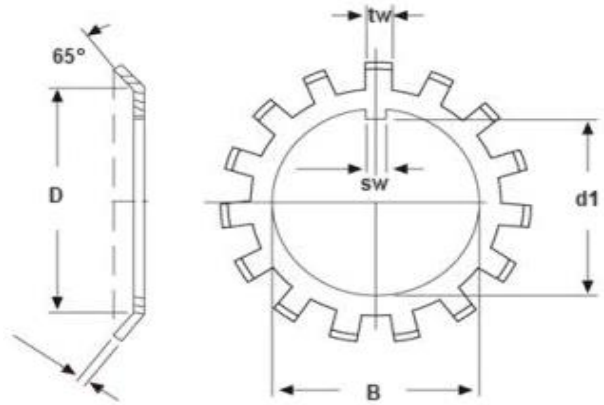


STAINLESS STEEL METRIC LOCK NUTS - SS-KM SERIES



Part Number	B	D	b1	d1	sw	sd	Weight (kg)
SS-KM0	M10X0.75	18	4	13.5	3	2	0.004
SS-KM1	M12x1	22	4	17	3	2	0.007
SS-KM2	M15X1	25	5	21	4	2	0.01
SS-KM3	M17x1	28	5	24	4	2	0.013
SS-KM4	M20x1	32	6	26	4	2	0.019
SS-KM5	M25X1.5	38	7	32	5	2	0.025
SS-KM6	M30X1.5	45	7	38	5	2	0.043
SS-KM7	M35X1.5	52	8	44	6	2	0.053
SS-KM8	M40X1.5	58	9	50	6	2.5	0.085
SS-KM9	M45X1.5	65	10	56	6	2.5	0.119
SS-KM10	M50X1.5	70	11	61	6	2.5	0.148
SS-KM11	M55X2	75	11	67	7	3	0.158
SS-KM12	M60x2	80	11	73	7	3	0.174
SS-KM13	M65x2	85	12	79	7	3	0.203
SS-KM14	M70x2	92	12	85	8	3.5	0.242
SS-KM15	M75x2	98	13	90	8	3.5	0.287
SS-KM16	M80x2	105	15	95	8	3.5	0.397
SS-KM17	M85x2	110	16	102	8	3.5	0.451
SS-KM18	M90x2	120	16	108	10	4	0.556
SS-KM19	M95x2	125	17	113	10	4	0.658
SS-KM20	M100x2	130	18	120	10	4	0.698
SS-KM21	M105x2	140	18	126	12	5	0.845
SS-KM22	M110x2	145	19	133	12	5	0.965
SS-KM23	M115x2	150	19	137	12	5	1.01
SS-KM24	M120x2	155	20	138	12	5	1.08
SS-KM25	M125X2	160	21	148	12	5	1.19
SS-KM26	M130x2	165	21	149	12	5	1.25

STAINLESS STEEL METRIC TAB WASHERS - SS-MB SERIES



Part Number	B	D	W	sw	d1	tw	Weight (kg)
SS-MB0	10	13.5	1	3	8.5	3	0.131
SS-MB1	12	17	1	3	10.5	3	0.192
SS-MB2	15	21	1	4	13.5	4	0.253
SS-MB3	17	24	1	4	15.5	4	0.313
SS-MB4	20	26	1	4	18.5	4	0.35
SS-MB5	25	32	1.25	5	23	5	0.64
SS-MB6	30	38	1.25	5	27.5	5	0.78
SS-MB7	35	44	1.25	6	32.5	5	1.04
SS-MB8	40	50	1.25	6	37.5	6	1.23
SS-MB9	45	56	1.25	6	42.5	6	1.52
SS-MB10	50	61	1.25	6	47.5	6	1.6
SS-MB11	55	67	1.25	8	52.5	7	1.96
SS-MB12	60	73	1.5	8	57.5	7	2.53
SS-MB13	65	79	1.5	8	62.5	7	2.9
SS-MB14	70	85	1.5	8	66.5	8	3.34
SS-MB15	75	90	1.5	8	71.5	8	3.56
SS-MB16	80	95	1.75	10	76.5	8	4.64
SS-MB17	85	102	1.75	10	81.5	8	5.24
SS-MB18	90	108	1.75	10	86.5	10	6.23
SS-MB19	95	113	1.75	10	91.5	10	6.7
SS-MB20	100	120	1.75	12	96.5	10	7.65
SS-MB21	105	126	1.75	12	101	12	8.26
SS-MB22	110	133	1.75	12	106	12	9.4
SS-MB23	115	137	2	12	111	12	10.8
SS-MB24	120	138	2	14	115	12	10.5
SS-MB25	125	148	2	14	120	12	11.8
SS-MB26	130	149	2	14	125	12	11.3