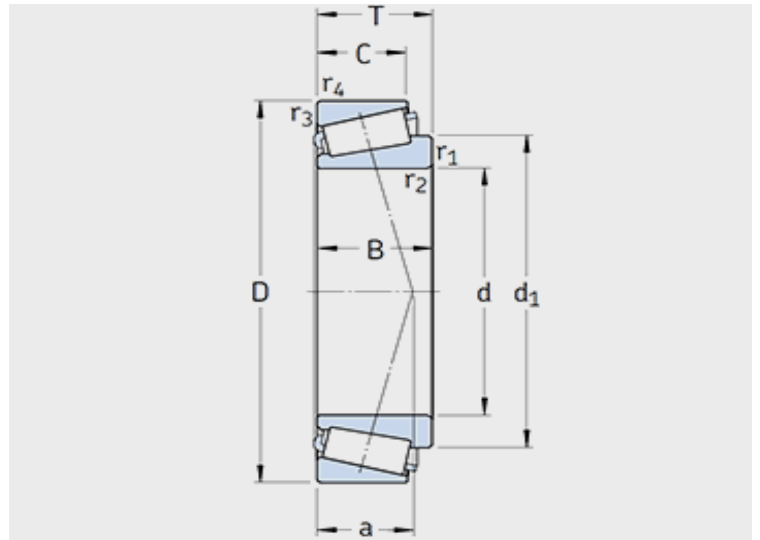
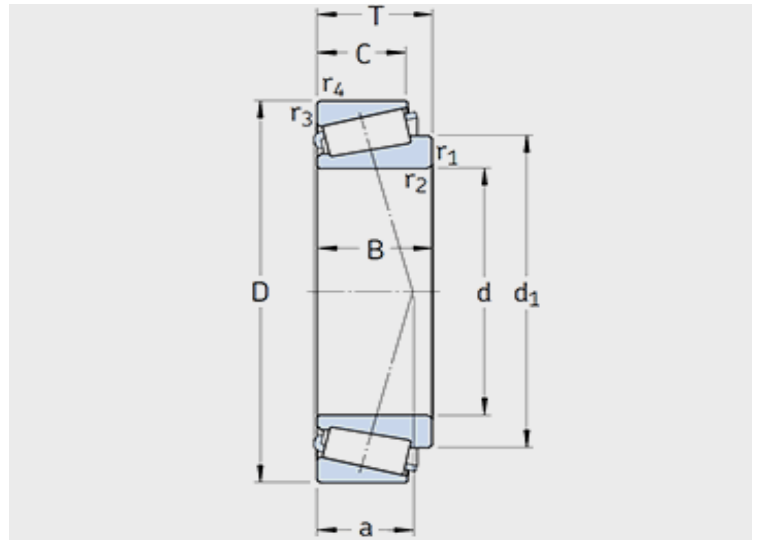


MIDLAND BEARINGS



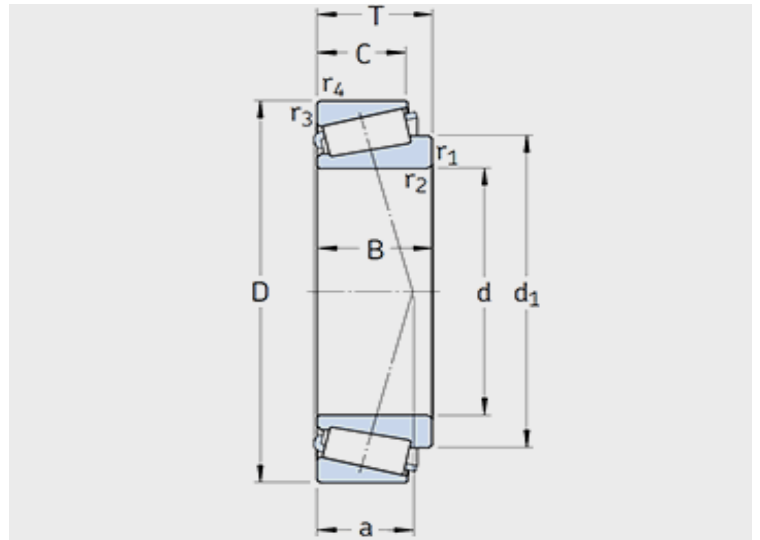
Bearing Reference	Dimensions (mm)					Basic Load Rating (N)		Weight (kg)
	d	D	B	T	C	Dyn. C	Stat. C0	
30202	15	35	11	11.75	10	12500	11800	0.057
30203	17	40	12	13.25	11	19000	18600	0.075
30204	20	47	14	15.25	12	27500	28000	0.120
30205	25	52	15	16.25	13	30800	33500	0.150
30206	30	62	16	17.25	14	40200	44000	0.230
30207	35	72	17	18.25	15	51200	56000	0.320
30208	40	80	18	19.75	16	61600	68000	0.420
30209	45	85	19	20.75	16	66000	76500	0.480
30210	50	90	20	21.75	17	76500	91500	0.540
30211	55	100	21	22.75	18	89700	106000	0.700
30212	60	110	22	23.75	19	99000	114000	0.880
30213	65	120	23	24.75	20	114000	134000	1.150
30214	70	125	24	26.25	21	125000	156000	1.250
30215	75	130	25	27.25	22	140000	176000	1.400
30216	80	140	26	28.25	22	151000	183000	1.600
30217	85	150	28	30.5	24	176000	220000	2.050
30218	90	160	30	32.5	26	194000	245000	2.550
30219	95	170	32	34.5	27	216000	275000	3.000
30220	100	180	34	37	29	246000	320000	3.650
30221	105	190	36	39	30	270000	355000	4.250
30222	110	200	38	41	32	308000	405000	5.100
30224	120	215	40	43.5	34	341000	465000	6.150
30226	130	230	40	43.75	34	369000	490000	7.600
30228	140	250	42	45.75	36	418000	570000	8.650
30230	150	270	45	49	38	429000	590000	11.000
30232	160	290	48	52	40	528000	735000	13.000
30234	170	310	52	57	43	590000	810000	19.000
30236	180	320	52	57	43	610000	850000	20.000
30238	190	340	55	60	46	721000	1000000	24.000
30240	200	360	58	64	48	792000	1120000	25.000
30302	15	42	13	14.25	11	22400	20000	0.095

MIDLAND BEARINGS



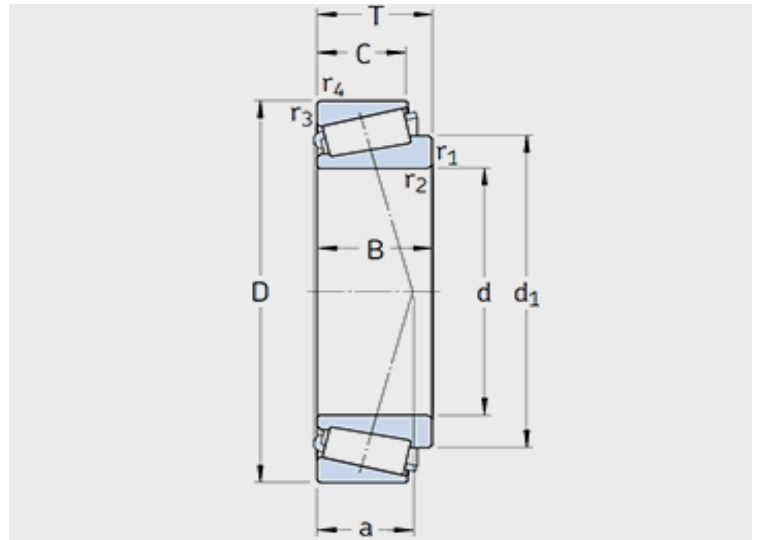
Bearing Reference	Dimensions (mm)					Basic Load Rating (N)		Weight (kg)
	d	D	B	T	C	Dyn. C	Stat. C0	
30303	17	47	14	15.25	12	28100	25000	0.130
30304	20	52	15	16.25	13	34100	32500	0.170
30305	25	62	17	18.25	15	44600	43000	0.260
30306	30	72	19	20.75	16	56100	56000	0.390
30307	35	80	21	22.75	18	72100	73500	0.520
30308	40	90	23	25.25	20	85800	95000	0.720
30309	45	100	25	27.25	22	108000	120000	0.970
30310	50	110	27	29.25	23	125000	140000	1.250
30311	55	120	29	31.5	25	142000	163000	1.550
30312	60	130	31	33.5	26	168000	196000	1.950
30313	65	140	33	36	28	194000	228000	2.400
30314	70	150	35	38	30	220000	260000	2.900
30315	75	160	37	40	31	246000	290000	3.450
30316	80	170	39	42.5	33	270000	320000	4.100
30317	85	180	41	44.5	34	303000	365000	4.850
30318	90	190	43	46.5	36	330000	400000	5.650
30319	95	200	45	49.5	38	360000	440000	6.700
30320	100	215	47	51.5	39	402000	490000	8.050
30321	105	225	49	53.5	41	429000	530000	9.150
30322	110	240	50	54.5	42	473000	585000	11.000
30324	120	260	55	59.5	46	561000	710000	14.000
30326	130	280	58	63.75	49	639000	864000	17.100
30328	140	300	62	67.75	53	721000	985000	21.700
30330	150	320	65	72	55	825000	1060000	28.500
31305	25	62	17	18.25	13	38000	40000	0.260
31306	30	72	19	20.75	14	47300	50000	0.390
31307	35	80	21	22.75	15	61600	67000	0.520
31308	40	90	23	25.25	17	73700	81500	0.720
31309	45	100	25	27.25	18	91300	102000	0.950
31310	50	110	27	29.25	19	106000	120000	1.200
31311	55	120	29	31.5	21	121000	137000	1.550

MIDLAND BEARINGS



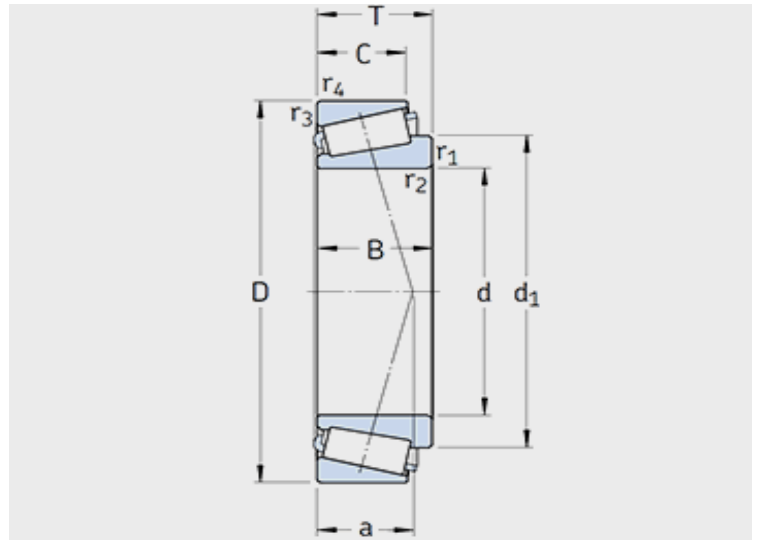
Bearing Reference	Dimensions (mm)					Basic Load Rating (N)		Weight (kg)
	d	D	B	T	C	Dyn. C	Stat. C0	
31312	60	130	31	33.5	22	145000	166000	1.900
31313	65	140	33	36	23	165000	193000	2.350
31314	70	150	35	38	25	187000	220000	2.950
31315	75	160	37	40	26	209000	245000	3.500
31316	80	170	39	42.5	27	224000	265000	4.050
31317	85	180	41	44.5	28	242000	285000	4.600
31318	90	190	43	46.5	30	264000	315000	5.900
31319	95	200	45	49.5	32	292000	355000	6.950
31320	100	215	51	56.5	35	374000	465000	8.600
31322	110	240	57	63	38	457000	585000	12.000
31324	120	260	62	68	42	539000	695000	15.500
31326	130	280	66	72	44	605000	780000	18.500
31328	140	300	70	77	47	693000	900000	24.500
32004	20	42	15	15	12	24200	27000	0.097
32005	25	47	15	15	11.5	27000	32500	0.110
32006	30	55	17	17	13	35800	44000	0.170
32007	35	62	18	18	14	42900	54000	0.220
32008	40	68	19	19	14.5	52800	71000	0.270
32009	45	75	20	20	15.5	58300	80000	0.340
32010	50	80	20	20	15.5	60500	88000	0.370
32011	55	90	23	23	17.5	80900	116000	0.550
32012	60	95	23	23	17.5	82500	122000	0.590
32013	65	100	23	23	17.5	84200	127000	0.630
32014	70	110	25	25	19	101000	153000	0.840
32015	75	115	25	25	19	106000	163000	0.900
32016	80	125	29	29	22	138000	216000	1.300
32017	85	130	29	29	22	140000	224000	1.350
32018	90	140	32	32	24	168000	270000	1.750
32019	95	145	32	32	24	170000	275000	1.800
32020	100	150	32	32	24	172000	280000	1.900
32021	105	160	35	35	26	201000	335000	2.400

MIDLAND BEARINGS



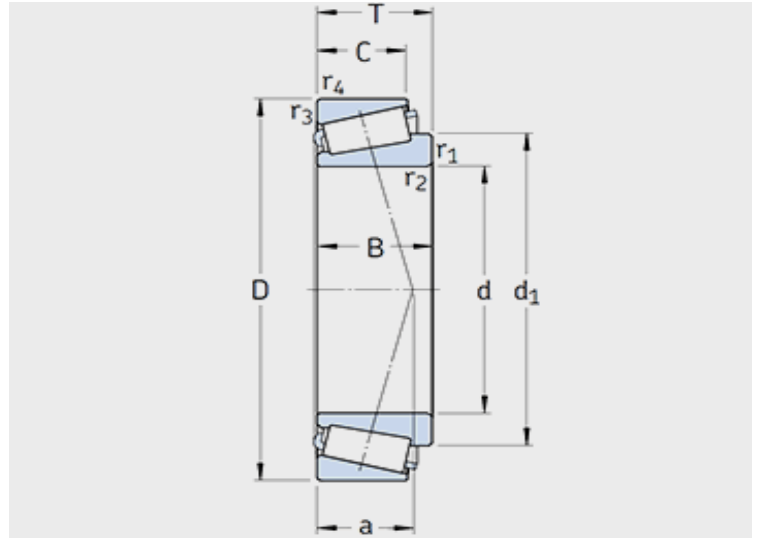
Bearing Reference	Dimensions (mm)					Basic Load Rating (N)		Weight (kg)
	d	D	B	T	C	Dyn. C	Stat. C0	
32022	110	170	38	38	29	233000	390000	3.050
32024	120	180	38	38	29	242000	415000	3.250
32026	130	200	45	45	34	314000	540000	4.950
32028	140	210	45	45	34	330000	585000	5.250
32030	150	225	48	48	36	369000	655000	6.350
32032	160	240	51	51	38	429000	780000	7.750
32034	170	260	57	57	43	512000	915000	10.500
32036	180	280	64	64	48	644000	1160000	14.500
32038	190	290	64	64	48	660000	1200000	15.000
32040	200	310	70	70	53	748000	1370000	19.500
32044	220	340	76	76	57	897000	1660000	25.500
32048	240	360	76	76	57	935000	1800000	27.500
32203	17	40	16	17.25	14	29000	29500	0.102
32204	20	47	18	19.25	15	33100	34700	0.161
32205	25	52	18	19.25	15	35800	44000	0.190
32206	30	62	20	21.25	17	50100	57000	0.280
32207	35	72	23	24.25	19	66000	78000	0.430
32208	40	80	23	24.75	19	74800	86500	0.530
32209	45	85	23	24.75	19	80900	98000	0.580
32210	50	90	23	24.75	19	82500	100000	0.610
32211	55	100	25	26.75	21	106000	129000	0.830
32212	60	110	28	29.75	24	125000	160000	1.150
32213	65	120	31	32.75	27	151000	193000	1.500
32214	70	125	31	33.25	27	157000	208000	1.600
32215	75	130	31	33.25	27	161000	212000	1.700
32216	80	140	33	35.25	28	187000	245000	2.050
32217	85	150	36	38.5	30	212000	285000	2.600
32218	90	160	40	42.5	34	251000	340000	3.350
32219	95	170	43	45.5	37	281000	390000	4.050
32220	100	180	46	49	39	319000	440000	4.900
32221	105	190	50	53	43	358000	510000	6.000

MIDLAND BEARINGS



Bearing Reference	Dimensions (mm)					Basic Load Rating (N)		Weight (kg)
	d	D	B	T	C	Dyn. C	Stat. C0	
32222	110	200	53	56	46	402000	570000	7.100
32224	120	215	58	61.5	50	468000	695000	9.150
32226	130	230	64	67.75	54	550000	830000	11.500
32228	140	250	68	71.75	58	644000	1000000	14.500
32230	150	270	73	77	60	737000	1140000	17.500
32232	160	290	80	84	67	880000	1400000	25.500
32234	170	310	86	91	71	980000	1560000	28.500
32236	180	320	86	91	71	1010000	1640000	29.800
32303	17	47	19	20.25	16	34700	33500	0.170
32304	20	52	21	22.25	18	44000	45500	0.230
32305	25	62	24	25.25	20	60500	63000	0.360
32306	30	72	27	28.75	23	76500	85000	0.550
32307	35	80	31	32.75	25	95200	106000	0.730
32308	40	90	33	35.25	27	117000	140000	1.000
32309	45	100	36	38.25	30	140000	170000	1.350
32310	50	110	40	42.25	33	172000	212000	1.800
32311	55	120	43	45.5	35	198000	250000	2.300
32312	60	130	46	48.5	37	229000	290000	2.850
32313	65	140	48	51	39	264000	335000	3.450
32314	70	150	51	54	42	297000	380000	4.300
32315	75	160	55	58	45	336000	440000	5.200
32316	80	170	58	61.5	48	380000	500000	6.200
32317	85	180	60	63.5	49	402000	530000	6.850
32318	90	190	64	67.5	53	457000	610000	8.400
32319	95	200	67	71.5	55	501000	670000	11.000
32320	100	215	73	77.5	60	572000	780000	12.500
32321	105	225	77	81.5	63	605000	815000	14.500
32322	110	240	80	84.5	65	627000	830000	17.000
32324	120	260	86	90.5	69	792000	1120000	21.500
32326	130	280	93	98.75	78	858000	1180000	26.200
32328	140	300	102	107.75	85	1100000	1570000	33.100

MIDLAND BEARINGS



Bearing Reference	Dimensions (mm)					Basic Load Rating (N)		Weight (kg)
	d	D	B	T	C	Dyn. C	Stat. C0	
32922	110	150	25	25	20	133000	231000	1.250
32924	120	165	29	29	23	172000	318000	1.820
32926	130	180	32	32	25	208000	370000	2.400
32928	140	190	32	32	25	214000	395000	2.550
32930	150	210	38	38	30	285000	495000	3.900
32932	160	220	38	38	30	295000	530000	4.130
32934	170	230	38	38	30	295000	560000	4.500
32936	180	250	45	45	34	281600	588000	6.650
32938	190	260	45	45	34	286400	612000	7.000
32940	200	280	51	51	39	378400	760000	9.500
32944	220	300	51	51	39	470000	864000	10.200
32948	240	320	51	51	39	510000	978000	11.000
32952	260	360	63.5	63.5	48	750000	1225000	18.700
32956	280	380	63.5	63.5	48	773000	1328000	20.000
32960	300	420	76	76	57	840000	1792000	32.000