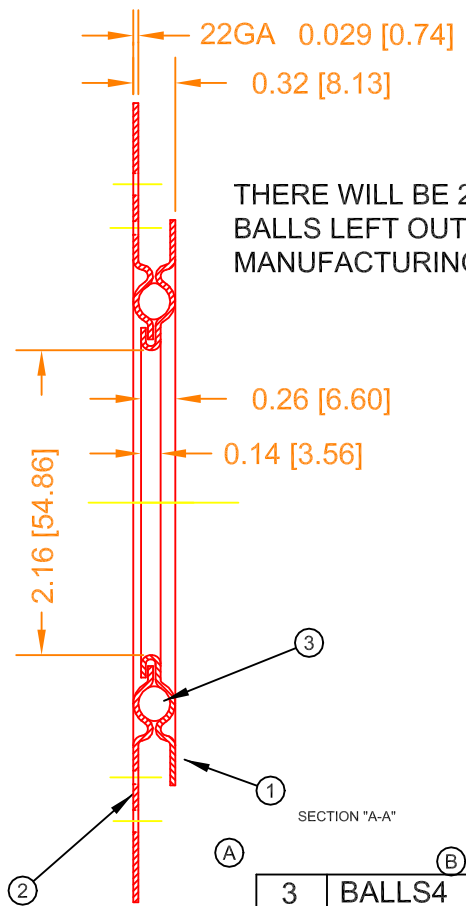
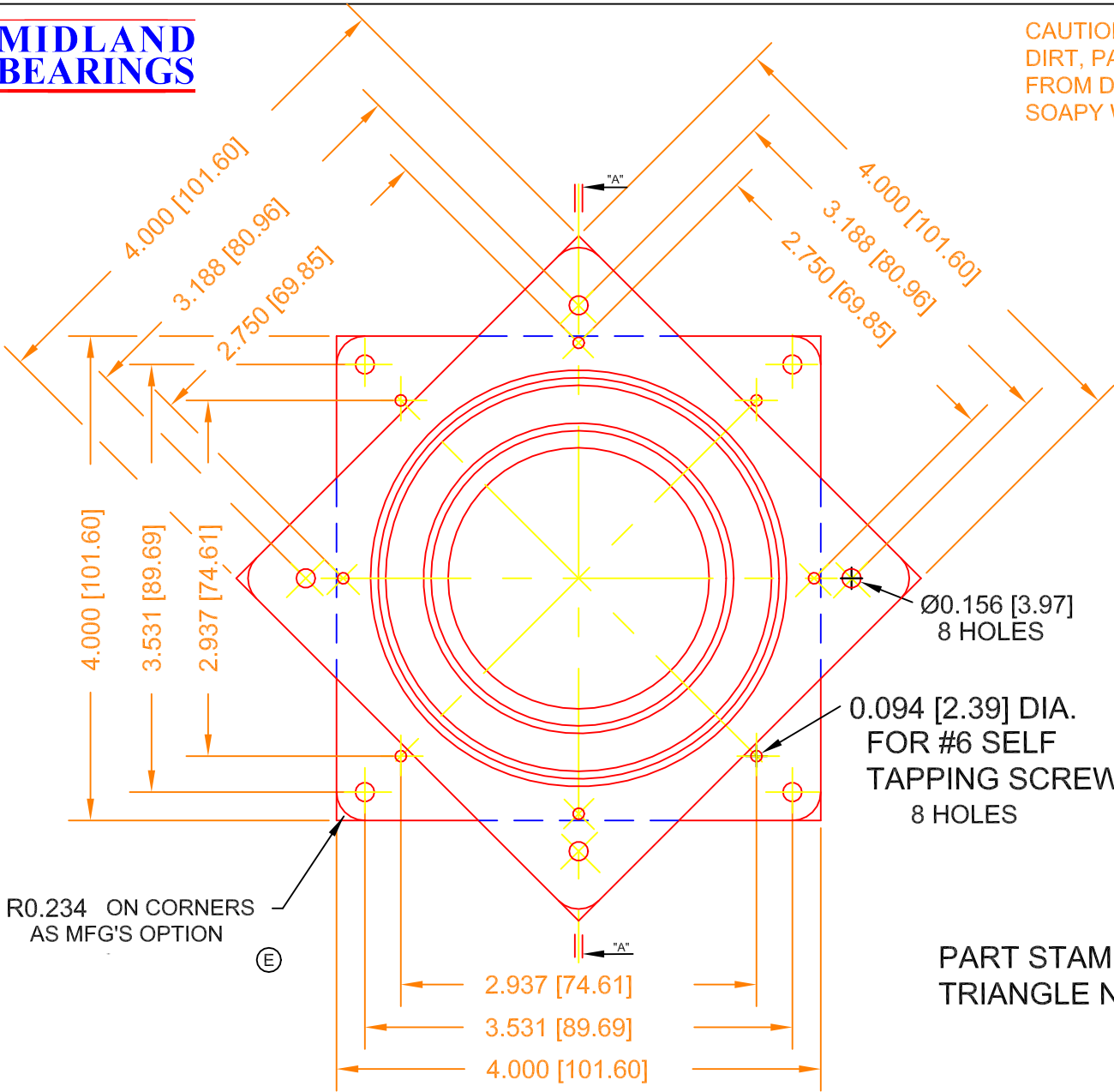


CAUTION: PROTECT BALLS AND RACES FROM SAWDUST, DIRT, PAINT, ETC. SHOULD BEARING BECOME "ROUGH" FROM DIRTY RACES, FLUSH THOROUGHLY WITH HOT SOAPY WATER, RINSE, OVEN DRY AND RE-OIL.



THERE WILL BE 2 TO 4 BALLS LEFT OUT DUE TO MANUFACTURING PROCESS.

PART STAMPED WITH TRIANGLE NAME STAMP

DET	PART NUMBER	DESCRIPTION	AMT
3	BALLS4	BALL	1
2	2823	PLAIN RACE	1
1	9486	STAMPING	1

B TRIANGLE MANUFACTURING CO.			
NAME		4" LAZY SUSAN BEARING	
USED IN		4C SERIES	
DATE	11-25-59	PART NO.	
PLATING	ELECTRO-GALV	4C	
MATERIAL	SEE DETAILS		
SCALE	1 / 1		

FIT	////
PLATING	ELECTRO-GALV
MATERIAL	SEE DETAILS
ALL DIMS ±.020 UNLESS SPECIFIED	

CHANGE LEVEL	H	09-05-12
--------------	---	----------