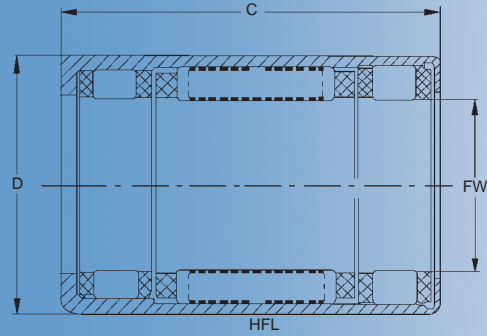
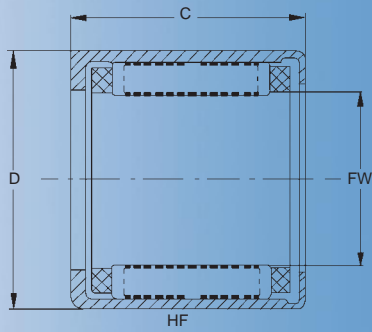


Drawn Cup Needle Roller Bearings (Inch series)

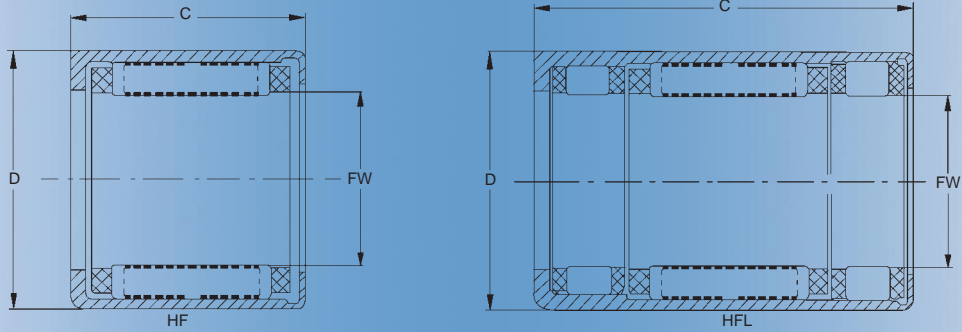


Bearing Designation		Mass	Boundary Dimensions						Limiting Speed	Transmission torque
			Approx	Fw		D		C		
		g	inch	mm	inch	mm	inch	mm	rpm	N.m
—	R2-02	2	1/8	3.18	9/32	7.14	0.250	6.35	50000	2.86
—	FC-4	1	0.16	4	0.31	8	0.236	6	50000	2.78
FCS-6	—	3.5	0.24	6	0.39	10	0.472	12	39300	18.6
—	RC-040708	3.5	1/4	6.35	7/16	11.11	0.500	12.70	38000	17.2
FCL-8-K	—	4.7	0.31	8	0.47	12	0.472	12	28700	28.7
FC-8	—	4	0.31	8	0.55	14	0.472	12	30500	35.8
RC-061008-FS*	RC-061008	4.7	3/8	9.52	5/8	15.88	0.500	12.70	25300	45.4
FCL-10-K	—	4	0.39	10	0.55	14	0.472	12	22700	39.1
FC-10	—	4.8	0.39	10	0.63	16	0.472	12	23700	50.4
FC-12	—	11	0.47	12	0.71	18	0.630	16	19300	118
RC-081208-FS*	RC-081208	9.2	1/2	12.70	3/4	19.05	0.500	12.70	18700	73.6
RC-101410-FS*	RC-101410	14.5	5/8	15.88	7/8	22.22	0.625	15.88	14700	143
FC-16	—	14	0.63	16	0.87	22	0.630	16	14000	182
RS-121610-FS*	—	17	3/4	19.05	1	25.40	0.625	15.88	11300	196
FC-20	RC-162110	17	0.79	20	1.02	26	0.630	16	10700	274
FC-25	—	30	0.98	25	1.26	32	0.787	20	8570	605
RC-162110-FS*	—	25.4	1	25.40	1 5/16	33.34	0.625	15.88	8670	412
FC-30	—	36	1.18	30	1.46	37	0.787	20	7330	845
FCS-35	—	40	1.38	35	1.65	42	0.787	20	6130	913

RC - RCB SERIES IMPERIAL CLUTCH NEEDLE BEARINGS



Drawn Cup Needle Roller Bearings (Inch series)



Bearing Designation		Mass	Boundary Dimensions						Basic Load Rating(N)		Limiting Speed	Transmission torque
			Approx	Fw		D		C		Dynamic		
		g	Inch	mm	Inch	mm	Inch	mm				rpm
FCBL-8-K	—		0.31	8	0.47	12	0.866	22	532		28700	29.0
FCB-8	—	10	0.31	8	0.55	14	0.787	20	541		30500	35.8
RCB-061014-FS*	RCB-061014	12	$\frac{3}{8}$	9.52	$\frac{5}{8}$	15.88	0.875	22.22	848		25300	45.4
FCB-10	—	15	0.39	10	0.63	16	0.787	20	628		23700	50.4
FCB-12	—	18	0.47	12	0.71	18	1.024	26	882		19300	118
RCB-081214-FS*	RCB-081214	16	$\frac{1}{2}$	12.7	$\frac{3}{4}$	19.05	0.875	22.22	1020		18700	73.6
RCB-101416-FS*	RCB-101416	21.3	$\frac{5}{8}$	15.88	$\frac{7}{8}$	22.22	1.000	25.40	1140		14700	143
FCB-16	—	22	0.63	16	0.87	22	1.024	26	951		14000	182
RCB-121616-FS*	RCB-11616	26.5	$\frac{3}{4}$	19.05	1	25.40	1.000	25.4	1270		11300	196
FCB-20	—	27	0.79	20	1.02	26	1.024	26	1180		10700	274
FCB-25	—	44	0.99	25	1.26	32	1.181	30	1580		8670	605
RCB-162117-FS*	RCB-162117	44.8	1	25.40	$\frac{15}{16}$	33.34	1.063	27	2240		8670	412
FCB-30	—	51	1.18	30	1.46	37	1.181	30	1620		7300	845