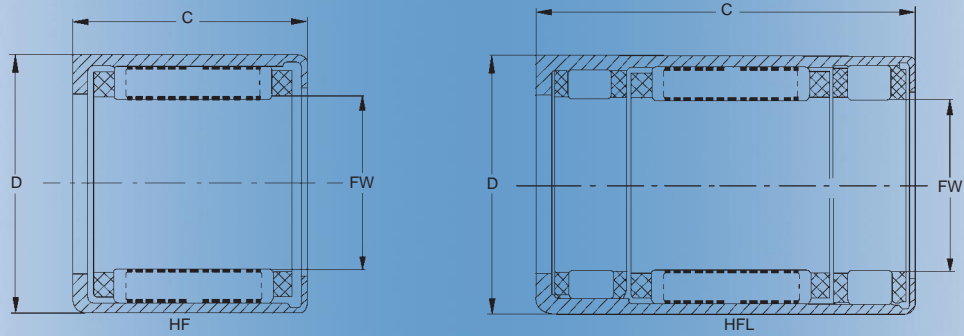


# HF - HFL METRIC CLUTCH NEEDLE BEARINGS

Drawn Cup Needle Roller Bearings



Shaft Diameter	Bearing Designation	Weight	Boundary Dimensions			Basic Load Rating		Limiting Speed		Transmission torque N.m
			Fw	D	C	Dynamic	Static	Grease	Oil	
mm		g	mm			N		Rpm		
4	HF0406	1	4	8	6			34000	14000	0.34
6	HF0612	3	6	10	12			23000	13000	1.76
8	HF0812	3.5	8	12	12			17000	12000	3.15
10	HF1012	4	10	14	12			14000	11000	5.3
12	HF1216	11.6	12	18	16			11000	8000	12.2
14	HF1416	13	14	20	16			9500	8000	17.3
16	HF1616	14	16	22	16			8500	7500	20.5
18	HF1816	15.5	18	24	16			7500	7500	24.1
20	HF2016	17	20	26	16			7000	6500	28.1
25	HF2520	30.9	25	32	20			5500	5500	66
30	HF3020	36	30	37	20			4500	4500	90
35	HF3520	40	35	42	20			3900	3900	121
4	HFL0408	1.6	4	8	8			34000	14000	0.34
6	HFL0615	4	6	10	15	4050	4650	23000	13000	1.76
8	HFL0822	6.3	8	12	22	4300	4650	17000	12000	3.15
10	HFL1022	7.4	10	14	22	6300	6500	14000	11000	5.3
12	HFL1226	18	12	18	26	7100	7700	11000	8000	12.2
14	HFL1426	20.3	14	20	26	7300	8400	9500	8000	17.3
16	HFL1626	22	16	22	26	8300	10300	8500	7500	17.3
18	HFL1826	24.4	18	24	26	8200	10400	7500	7500	20.5
20	HFL2026	27	20	26	26	10900	14100	7000	6500	28.5
25	HFL2530	44	25	32	30	12600	17600	5500	5500	66
30	HFL3030	51	30	37	30	13000	19300	4500	4500	90
35	HFL3530	58	35	42	30			3900	3900	121