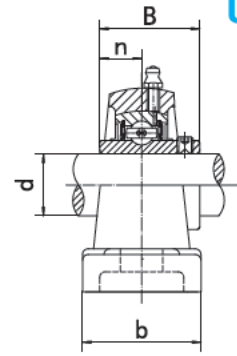
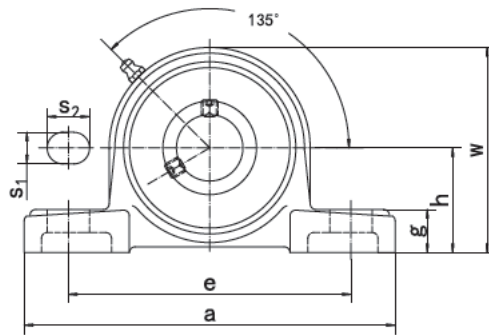


**Pillow Blocks**

**UCP3 (Heavy-duty)**



Unit NO.	Dimensions ( mm / in. )											Bolt Size mm/in.	Bearing No.	Housing No.	Weight (kg)
	d	h	a	e	b	s <sub>1</sub>	s <sub>2</sub>	g	w	B	n				
<b>UCP305</b> 305-13 305-14 305-15 305-16	25 13/16 7/8 15/16 1	45 1-9/64	175 6-7/8	132 5-3/16	45 1-25/32	17 43/64	20 25/32	15 19/32	85 3-11/32	38 1.4961	15 0.591	M14 1/2	UC305 UC305-13 UC305-14 UC305-15 UC305-16	P305	1.27 1.32 1.30 1.28 1.27
<b>UCP306</b> 306-17 306-18 306-19	30 1-1/16 1-1/8 1-3/16	50 1-31/32	180 7-3/32	140 5-1/2	50 1-31/32	17 43/64	20 25/32	18 23/32	95 3-3/4	43 1.6929	17 0.669	M14 1/2	UC306 UC306-17 UC306-18 UC306-19	P306	1.73 1.79 1.76 1.74
<b>UCP307</b> 307-20 307-21 307-22 307-23	35 1-1/4 1-5/16 1-3/8 1-7/16	56 1-13/64	210 8-9/32	160 6-5/16	56 2-13/64	17 43/64	25 31/32	20 25/32	106 4-3/16	48 1.8898	19 0.748	M14 1/2	UC307 UC307-20 UC307-21 UC307-22 UC307-23	P307	2.38 2.44 2.41 2.38 2.35
<b>UCP308</b> 308-24 308-25	40 1-1/2 1-9/16	60 2-23/64	220 8-21/32	170 6-11/16	60 2-3/8	17 43/64	27 1-11/16	22 7/8	116 4-9/16	52 2.0472	19 0.748	M14 1/2	UC308 UC308-24 UC308-25	P308	3.08 3.12 3.08
<b>UCP309</b> 309-26 309-27 309-28	45 1-5/8 1-11/16 1-3/4	67 2-41/64	245 9-21/32	190 7-15/32	67 2-5/8	20 25/32	30 1-3/16	24 15/16	129 5-3/32	57 2.2441	22 0.866	M16 5/8	UC309 UC309-26 UC309-27 UC309-28	P309	4.17 4.27 4.23 4.18
<b>UCP310</b> 310-29 310-30 310-31	50 1-13/16 1-7/8 1-15/16	75 2-61/64	275 10-13/16	212 8-11/32	75 2-15/16	20 25/32	35 1-3/8	27 1-1/16	143 5-5/8	61 2.4016	22 0.866	M16 5/8	UC310 UC310-29 UC310-30 UC310-31	P310	5.69 6.03 5.78 5.72
<b>UCP311</b> 311-32 311-33 311-34 311-35	55 2 2-1/16 2-1/8 2-3/16	80 3-5/32	310 12-7/32	236 9-9/32	80 3-5/32	20 25/32	38 1-1/2	30 1-3/16	154 6-1/16	66 2.5984	25 0.984	M16 5/8	UC311 UC311-32 UC311-33 UC311-34 UC311-35	P311	7.24 7.42 7.35 7.29 7.21
<b>UCP312</b> 312-36 312-37 312-38 312-39	60 2-1/4 2-5/16 2-3/8 2-7/16	85 3-11/32	330 13	250 9-27/32	85 3-11/32	25 31/32	38 1-1/2	32 1-1/4	165 6-1/2	71 2.7953	26 1.024	M20 3/4	UC312 UC312-36 UC312-37 UC312-38 UC312-39	P312	8.88 9.03 8.95 8.86 8.78
<b>UCP313</b> 313-40 313-41	65 2-1/2 2-9/16	90 3-35/64	340 13-3/8	260 10-1/4	90 3-17/32	25 31/32	38 1-1/2	33 1-5/16	176 6-15/16	75 2.9528	30 1.181	M20 3/4	UC313 UC313-40 UC313-41	P313	10.51 10.59 10.49
<b>UCP314</b> 314-42 314-43 314-44	70 2-5/8 2-11/16 2-3/4	95 3-47/64	360 14-3/16	280 11-1/32	90 3-17/32	27 1-1/16	40 1-9/16	35 1-3/8	187 7-3/8	78 3.0708	33 1.299	M22 7/8	UC314 UC314-42 UC314-43 UC314-44	P314	12.04 12.26 12.15 12.05
<b>UCP315</b> 315-45 315-46 315-47 315-48	75 2-13/16 2-7/8 2-15/16 3	100 3-15/16	380 14-31/32	290 11-13/32	100 3-15/16	27 1-1/16	40 1-9/16	35 1-3/8	198 7-25/32	82 3.2283	32 1.260	M22 7/8	UC315 UC315-45 UC315-46 UC315-47 UC315-48	P315	14.51 14.78 14.64 14.55 14.42
<b>UCP316</b> 316-49 316-50 316-51	80 3-1/16 3-1/8 3-3/16	106 4-11/64	400 15-3/4	300 11-13/16	110 4-11/32	27 1-1/16	40 1-9/16	40 1-9/16	210 8-9/32	86 3.3858	34 1.339	M22 7/8	UC316 UC316-49 UC316-50 UC316-51	P316	17.59 17.76 17.62 17.53
<b>UCP317</b> 317-52 317-53 317-55	85 3-1/4 3-5/16 3-7/16	112 4-13/32	420 16-17/32	320 12-19/32	110 4-11/32	33 1-5/16	45 1-25/32	40 1-9/16	220 8-21/32	96 3.7795	40 1.575	M27 1	UC317 UC317-52 UC317-53 UC317-55	P317	19.36 19.58 19.55 19.33
<b>UCP318</b> 318-55 318-56	90 3-7/16 3-1/2	118 4-41/64	430 16-15/16	330 13	110 4-11/32	33 1-5/16	45 1-25/32	45 1-25/32	235 9-1/4	96 3.7795	40 1.575	M27 1	UC318 UC318-56 UC318-56	P318	22.47 22.76 22.58
<b>UCP319</b> 319-58 319-59 319-60	95 3-5/8 3-11/16 3-3/4	125 4-59/64	470 18-1/2	360 14-3/16	120 4-23/32	36 1-13/32	50 1-31/32	45 1-25/32	250 9-27/32	103 4.0551	41 1.614	M30 1-1/8	UC319 UC319-58 UC319-59 UC319-60	P319	27.84 28.17 27.99 27.80
<b>UCP320</b> 320-64	100 4	140 5-33/64	490 19-9/32	380 14-31/32	120 4-23/32	36 1-13/32	50 1-31/32	50 1-31/32	275 10-53/64	108 4.252	42 1.6536	M30 1-1/8	UC320 UC320-64	P320	33.76 33.56
<b>UCP322</b>	110	150 5-29/32	520 20-15/32	400 15-3/4	140 5-33/64	40 1-9/16	55 2-5/32	55 2-5/32	300 11-13/16	117 4.6063	46 1.8110	M33	UC322	P322	45.25
<b>UCP324</b>	120	160 6-19/64	570 22-7/16	450 17-23/32	140 5-33/64	40 1-9/16	55 2-5/32	65 2-21/32	320 12-19/32	126 4.9606	51 2.0079	M33	UC324	P324	54.97
<b>UCP326</b>	130	180 7-3/32	600 23-5/8	480 18-29/32	140 5-33/64	40 1-9/16	55 2-5/32	75 2-61/64	355 13-31/32	135 5.3150	54 2.1260	M33	UC326	P326	71.48
<b>UCP328</b>	140	200 7-7/8	620 24-13/32	500 19-11/16	140 5-33/64	40 1-9/16	55 2-5/32	75 2-61/64	390 15-23/64	145 5.7087	59 2.3228	M33	UC328	P328	87.48