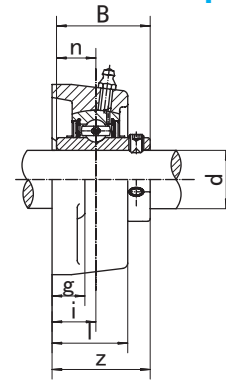
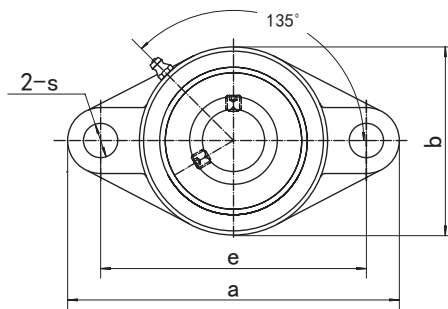


UCFLX (Medium-duty)

Flange Units (Oval)



Unit NO.	Dimensions (mm / in.)											Bolt Size mm/in.	Bearing No.	Housing No.	Weight (kg)
	d	a	e	i	g	l	s	b	z	B	n				
UCFLX05	25	141	117	18	13	30	12	83	40.2	38.1	15.9	M10	UCX05	FLX05	0.90
X05-13	13/16												UCX05-13		
X05-14	7/8	5-9/16	4-39/64	45/64	1/2	1-3/16	15/32	3-9/32	1-37/64	1.5000	0.626	3/8	UCX05-14		
X05-15	15/16												UCX05-15		
X05-16	1												UCX05-16		
UCFLX06	30	156	130	19	15	34	16	95	44.4	42.9	17.5	M14	UCX06	FLX06	1.26
X06-17	1-1/16												UCX06-17		
X06-18	1-1/8	6-5/32	5-1/8	3/4	19/32	1-11/32	5/8	3-3/4	1-3/4	1.6890	0.689	1/2	UCX06-18		
X06-19	1-3/16												UCX06-19		
X06-20	1-1/4												UCX06-20		
UCFLX07	35	171	144	21	16	38	16	105	51.2	49.2	19	M14	UCX07	FLX07	1.67
X07-21	1-5/16												UCX07-21		
X07-22	1-3/8	6-23/32	5-43/64	53/64	5/8	1-1/2	5/8	4-1/8	2-1/64	1.9370	0.748	1/2	UCX07-22		
X07-23	1-7/16												UCX07-23		
UCFLX08	40	179	148	22	16	40	16	111	52.2	49.2	19	M14	UCX08	FLX08	1.93
X08-24	1-1/2												UCX08-24		
X08-25	1-9/16	7-1/16	5-53/64	55/64	5/8	1-9/16	5/8	4-3/8	2-1/16	1.9370	0.748	1/2	UCX08-25		
UCFLX09	45	189	157	23	16	40	16	116	55.6	51.6	19	M14	UCX09	FLX09	2.10
X09-26	1-5/8												UCX09-26		
X09-27	1-11/16	7-7/16	6-3/16	29/32	5/8	1-37/64	5/8	4-9/16	2-3/16	2.0315	0.748	1/2	UCX09-27		
X09-28	1-3/4												UCX09-28		
X09-29	1-13/16												UCX09-29		
UCFLX10	50	216	184	26	18	44	19	133	59.4	55.6	22.2	M16	UCX10	FLX10	2.97
X10-30	1-7/8												UCX10-30		
X10-31	1-15/16	8-1/2	7-1/4	1-1/32	23/32	1-23/32	3/4	5-1/4	2-11/32	2.1890	0.874	5/8	UCX10-31		
X10-32	2												UCX10-32		