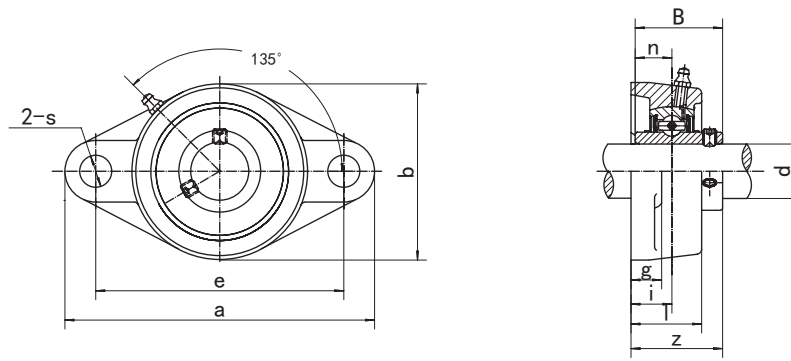


UCFL3 (Heavy-duty)

Flange Units (Oval)



Unit NO.	Dimensions (mm / in.)											Bolt Size mm/in.	Bearing No.	Housing No.	Weight (kg)
	d	a	e	i	g	l	s	b	z	B	n				
UCFL305	25	150	113	16	13	29	19	80	39	38	15	M16	UC305		0.89
305-13	13/16											5/8	UC305-13	FL305	0.94
305-14	7/8	5-29/32	4-7/16	5/8	1/2	1-5/32	3/4	3-5/32	1-17/32	1.4961	0.591		UC305-14		0.92
305-15	15/16												UC305-15		0.90
305-16	1												UC305-16		0.89
UCFL306	30	180	134	18	15	32	23	90	44	43	17	M20	UC306		1.37
306-17	1-1/16											3/4	UC306-17	FL306	1.42
306-18	1-1/8	7-3/32	5-9/32	45/64	19/32	1-1/4	29/32	3-17/32	1-47/64	1.6929	0.669		UC306-18		1.39
306-19	1-3/16												UC306-19		1.37
UCFL307	35	185	141	20	16	36	23	100	49	48	19	M20	UC307		1.67
307-20	1-1/4											3/4	UC307-20	FL307	1.73
307-21	1-5/16	7-9/32	5-35/64	25/32	5/8	1-13/32	29/32	3-15/16	1-59/64	1.8898	0.748		UC307-21		1.70
307-22	1-3/8												UC307-22		1.67
307-23	1-7/16												UC307-23		1.64
UCFL308	40	200	158	23	17	40	23	112	56	52	19	M20	UC308		2.20
308-24	1-1/2	7-7/8	6-7/32	29/32	21/32	1-9/16	29/32	4-13/32	1-13/64	2.0472	0.748	3/4	UC308-24	FL308	2.25
308-25	1-9/16												UC308-25		2.21
UCFL309	45	230	177	25	18	44	25	125	60	57	22	M22	UC309		3.12
309-26	1-5/8											7/8	UC309-26	FL309	3.21
309-27	1-11/16	9-1/16	6-31/32	63/64	23/32	1-23/32	63/64	4-29/32	2-23/64	2.2441	0.866		UC309-27		3.17
309-28	1-3/4												UC309-28		3.12
UCFL310	50	240	187	28	19	48	25	140	67	61	22	M22	UC310		3.99
310-29	1-13/16											7/8	UC310-29	FL310	4.34
310-30	1-7/8	9-7/16	7-23/64	1-7/64	3/4	1-7/8	63/64	5-1/2	2-41/64	2.4016	0.866		UC310-30		4.09
310-31	1-15/16												UC310-31		4.03
UCFL311	55	250	198	30	20	52	25	150	71	66	25	M22	UC311		4.79
311-32	2											7/8	UC311-32	FL311	4.97
311-33	2-1/16	9-27/32	7-51/64	1-3/16	25/32	2-1/16	63/64	5-29/32	2-51/64	2.5984	0.984		UC311-33		4.90
311-34	2-1/8												UC311-34		4.84
311-35	2-3/16												UC311-35		4.76
UCFL312	60	270	212	33	22	56	31	160	78	71	26	M27	UC312		5.77
312-36	2-1/4											1	UC312-36	FL312	5.92
312-37	2-5/16	10-5/8	8-11/32	1-19/64	7/8	2-7/32	1-7/32	6-5/64	3-5/64	2.7953	1.024		UC312-37		5.84
312-38	2-3/8												UC312-38		5.75
312-39	2-7/16												UC312-39		5.67
UCFL313	65	295	240	33	25	58	31	175	78	75	30	M27	UC313		7.38
313-40	2-1/2	11-5/8	9-29/64	1-19/64	31/32	2-9/32	1-7/32	6-7/8	3-5/64	2.9528	1.181	1	UC313-40	FL313	7.46
313-41	2-9/16												UC313-41		7.36
UCT314	70	315	250	36	28	61	35	185	81	78	33	M30	UC314		8.72
314-42	2-5/8											1-1/8	UC314-42	FL314	8.94
314-43	2-11/16	12-13/32	9-27/32	1-27/64	1-3/32	2-13/32	1-3/8	7-9/32	3-3/16	3.0708	1.299		UC314-43		8.83
314-44	2-3/4												UC314-44		8.73
UCFL315	75	320	260	39	30	66	35	195	89	82	32	M30	UC315		10.02
315-45	2-13/16											1-1/8	UC315-45	FL315	10.29
315-46	2-7/8	12-19/32	10-15/64	1-17/32	1-3/16	2-19/32	1-3/8	7-11/16	3-1/2	3.2283	1.260		UC315-46		10.15
315-47	2-15/16												UC315-47		10.06
315-48	3												UC315-48		9.93
UCFL316	80	355	285	38	32	68	38	210	90	86	34	M33	UC316		12.42
316-49	3-1/16											1-1/4	UC316-49	FL316	12.59
316-50	3-1/8	13-31/32	11-7/32	1-1/2	1-1/4	2-11/16	1-1/2	8-9/32	3-35/64	3.3858	1.339		UC316-50		12.45
316-51	3-3/16												UC316-51		12.36
UCFL317	85	370	300	44	32	74	38	220	100	96	40	M33	UC317		14.34
317-52	3-1/4											1-1/4	UC317-52	FL317	14.56
317-53	3-5/16	14-9/16	11-13/16	1-47/64	1-1/4	2-29/32	1-1/2	8-21/32	3-15/16	3.7795	1.575		UC317-53		14.53
317-55	3-7/16												UC317-55		14.31
UCFL318	90	385	315	44	36	76	38	235	100	96	40	M33	UC318		16.87
318-55	3-7/16											1-1/4	UC318-55	FL318	17.16
318-56	3-1/2	15-5/32	12-13/32	1-47/64	1-13/32	3	1-1/2	9-1/4	3-15/16	3.7795	1.575		UC318-56		16.98
UCFL319	95	405	330	59	40	94	41	250	121	103	41	M36	UC319		21.71
319-58	3-5/8											1-3/8	UC319-58	FL319	22.04
319-59	3-11/16	15-15/16	12-63/64	2-21/64	1-9/16	3-11/16	1-39/64	9-27/32	4-49/64	4.0551	1.614		UC319-59		21.86
317-60	3-3/4												UC317-60		21.67
UCFL320	100	440	360	59	40	94	44	270	125	108	42	M39	UC320		25.95
320-64	4	17-5/16	14-11/64	2-21/64	1-9/16	3-11/16	1-47/64	10-5/8	4-29/32	4.2519	1.6535	1-1/2	UC320-64	FL320	25.75
UCFL322	110	470	390	60	42	96	44	300	131	117	46	M39	UC322		33.05
	18-1/2	15-23/64	2-23/64	1-21/32	3-25/32	1-47/64	11-13/16	5-5/32	4.6063	1.8110					
UCFL324	120	520	430	65	48	110	47	330	140	126	51	M42	UC324		46.47
	20-15/32	16-59/64	2-9/16	1-7/8	4-11/32	1-27/32	13	5-1/2	4.9606	2.0079					
UCFL326	130	550	460	65	50	115	47	360	146	135	54	M42	UC326		57.38
	21-21/32	18-7/64	2-9/16	1-31/32	4-17/32	1-27/32	14-3/16	5-3/4	5.3150	2.1260					
UCFL328	140	600	500	75	60	125	51	400	161	145	59	M45	UC328		79.08
	23-5/8	19-11/16	2-61/64	2-3/8	4-29/32	2	15-3/4	6-11/32	5.7086	2.3228					