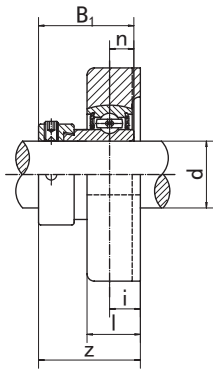
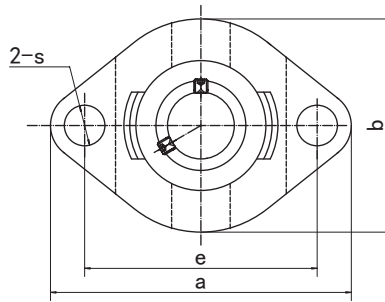


SAFD2
(SA2-Fitted)

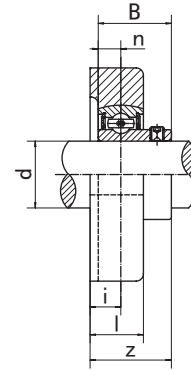


SAFD2

Flange Unit
(Light duty)



SBFD2
(SB2-Fitted)



SBFD2

Unit NO.	Dimensions (mm / in.)										Bolt Size mm/in.	Bearing No.	Housing No.	Weight (kg)
	d	a	e	b	i	s	l	z	B ₁	n				
SAFD 201 201-8	12 1/2	81 3-3/16	63 2-31/64	59 2-21/64	8.5 21/64	7 9/32	15 19/32	30.6 1-13/64	28.6 1 1260	6.5 0 2559	M6	SA201 SA201-8	FD201	0.29
SAFD 202 202-9 202-10	15 9/16 5/8										M8	SA202 SA202-9 SA202-10	FD202	
SAFD 203 203-11	17 11/16										M6	SA203 SA203-11	FD203	
SAFD 204 204-12	20 3/4	90 3-35/64	71 2-51/64	67 2-41/64	9.5 3/8	10 25/64	17 43/64	33 1-19/64	31 1 2204	7.5 0 2953	M8 5/16	SA204 SA204-12	FD204	0.40
SAFD 205 205-13 205-14 205-15 205-16	25 13/16 7/8 15/16 1	95 3-3/4	76 2-63/64	71 2-51/64	9.5 3/8	10 25/64	17 43/64	33 1-19/64	31 1 2204	7.5 0 2953	M8 5/16	SA205 SA205-13 SA205-14 SA205-15 SA205-16	FD205	0.45
SAFD 206 206-17 206-18 206-19 206-20	30 1-1/16 1-1/8 1-3/16 1-1/4	113 4-7/16	90 3-35/64	84 3-5/16	12 15/32	12 15/32	21 53/64	38.7 1-17/32	35.7 1 4055	9 0 3543	M10 3/8	SA206 SA206-17 SA206-18 SA206-19 SA206-20	FD206	0.72
SAFD 207 207-20 207-21 207-22 207-23	35 1-1/4 1-5/16 1/3/8 1-7/16	125 4-59/64	100 3-15/16	94 3-45/64	12.5 1/2	12 15/32	22 7/8	41.9 1-21/32	38.9 1 5315	9.5 0 3740	M10 3/8	SA207 SA207-20 SA207-21 SA207-22 SA207-23	FD207	1.00

Unit NO.	Dimensions (mm / in.)										Bolt Size mm/in.	Bearing No.	Housing No.	Weight (kg)
	d	a	e	b	i	s	l	z	B	n				
SBFD 201 201-8	12 1/2	81 3-3/16	63 2-31/64	59 2-21/64	8.5 21/64	7 9/32	15 19/32	24 61/64	22 0 8661	6 0 2362	M6	SB201 SB201-8	FD201	0.27
SBFD 202 202-9 202-10	15 9/16 5/8										M8	SB202 SB202-9 SB202-10	FD202	
SBFD 203 203-11	17 11/16										M6	SB203 SB203-11	FD203	
SBFD 204 204-12	20 3/4	90 3-35/64	71 2-51/64	67 2-41/64	9.5 3/8	10 25/64	17 43/64	27.5 1-5/64	25 0 9843	7 0 2756	M8 5/16	SB204 SB204-12	FD204	0.37
SBFD 205 205-13 205-14 205-15 205-16	25 13/16 7/8 15/16 1	95 3-3/4	76 2-63/64	71 2-51/64	9.5 3/8	10 25/64	17 43/64	29 1-9/64	27 1 0630	7.5 0 2953	M8 5/16	SB205 SB205-13 SB205-14 SB205-15 SB205-16	FD205	0.41
SBFD 206 206-17 206-18 206-19 206-20	30 1-1/16 1-1/8 1-3/16 1-1/4	113 4-7/16	90 3-35/64	84 3-5/16	12 15/32	12 15/32	21 53/64	34 1-11/32	30 1 1811	8 0 3150	M10 3/8	SB206 SB206-17 SB206-18 SB206-19 SB206-20	FD206	0.67
SBFD 207 207-20 207-21 207-22 207-23	35 1-1/4 1-5/16 1/3/8 1-7/16	125 4-59/64	100 3-15/16	94 3-45/64	12.5 1/2	12 15/32	22 7/8	36 1-27/64	32 1 2598	8.5 0 3346	M10 3/8	SB207 SB207-20 SB207-21 SB207-22 SB207-23	FD207	0.87

Note: To specify relubricatable units, add "G" suffix, (e.g., SBFD205-16G)