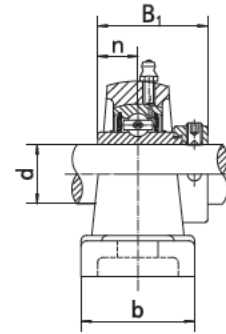
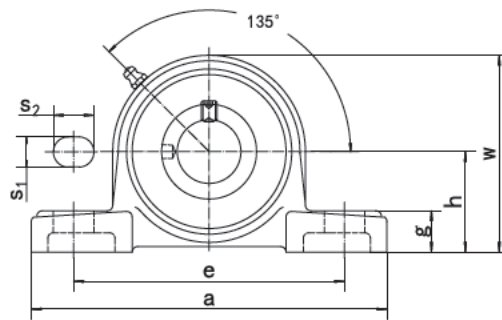


HCP2 (Normal-duty)

Pillow Blocks



Unit NO.	Dimensions (mm / in.)											Bolt Size mm/in.	Bearing No.	Housing No.	Weight (kg)
	d	h	a	e	b	s1	s2	g	w	B1	n				
HCP204	20	33.3	127	95	38	13	19	14	65	43.7	17.1	M10	HC204	P204	0.70
204-12	3/4	1-5/16	5	3-3/4	1-1/2	1/2	3/4	9/16	2-9/16	1.720	0.673	3/8	HC204-12		0.70
HCP205	25	36.5	140	105	38	13	19	15	71	44.4	17.5	M10	HC205	P205	0.81
205-13	13/16	1-7/16	5-1/2	4-1/8	1-1/2	1/2	3/4	19/32	2-25/32	1.748	0.689	3/8	HC205-13		0.86
205-14	7/8												HC205-14		0.85
205-15	15/16												HC205-15		0.83
205-16	1												HC205-16		0.81
HCP206	30												42.9	160	121
206-17	1-1/16	1-11/16	6-19/64	4-3/4	1-47/64	43/64	25/32	21/32	3-5/16	1.906	0.720	1/2	HC206-17	1.32	
206-18	1-1/8												HC206-18	1.29	
206-19	1-3/16												HC206-19	1.27	
206-20	1-1/4												HC206-20	1.24	
HCP207	35												47.6	167	127
207-20	1-1/4	1-7/8	6-9/16	5	1-7/8	43/64	25/32	45/64	3-21/32	2.012	0.740	1/2	HC207-20	1.67	
207-21	1-5/16												HC207-21	1.63	
207-22	1-3/8												HC207-22	1.60	
207-23	1-7/16												HC207-23	1.58	
HCP208	40												49.2	184	137
208-24	1-1/2	1-15/16	7-1/4	5-13/32	2-1/8	43/64	25/32	45/64	3-15/16	2.217	0.843	1/2	HC208-24	2.04	
208-25	1-9/16												HC208-25	2.00	
HCP209	45												54.0	190	146
209-26	1-5/8	2-1/8	7-15/32	5-3/4	2-1/8	43/64	25/32	25/32	4-11/64	2.217	0.843	1/2	HC209-26	2.30	
209-27	1-11/16												HC209-27	2.25	
209-28	1-3/4												HC209-28	2.21	
HCP210	50												57.2	206	159
210-29	1-13/16	2-1/4	8-1/8	6-1/4	2-3/8	25/32	29/32	53/64	4-29/64	2.469	0.969	5/8	HC210-29	2.95	
210-30	1-7/8												HC210-30	2.89	
210-31	1-15/16												HC210-31	2.83	
210-32	2												HC210-32	2.77	
HCP211	55												63.5	219	171
211-32	2	2-1/2	8-5/8	6-47/64	2-3/8	25/32	29/32	29/32	4-59/64	2.811	1.094	5/8	HC211-32	3.80	
211-33	2-1/16												HC211-33	3.62	
211-34	2-1/8												HC211-34	3.55	
211-35	2-3/16												HC211-35	3.47	
HCP212	60												69.8	241	184
212-36	2-1/4	2-3/4	9-1/2	7-1/4	2-3/4	25/32	29/32	63/64	5-7/16	3.063	1.22	5/8	HC212-36	4.78	
212-37	2-5/16												HC212-37	4.83	
212-38	2-3/8												HC212-38	4.76	
212-39	2-7/16												HC212-39	4.75	
HCP213	65												76.2	265	203
213-40	2-1/2	3	10-7/16	8	2-3/4	63/64	1-3/32	1-1/16	5-29/32	3.374	1.343	3/4	HC213-40	6.00	
213-41	2-9/16												HC213-41	5.88	
HCP214	70												79.4	266	210
214-42	2-5/8	3-1/8	10-15/32	8-17/64	2-27/32	63/64	1-3/32	1-1/16	6-9/64	3.374	1.343	3/4	HC214-42	6.21	
214-43	2-11/16												HC214-43	6.40	
214-44	2-3/4												HC214-44	6.28	
HCP215	75												82.6	275	217
215-45	2-13/16	3-1/4	10-53/64	8-35/64	2-29/32	63/64	1-3/32	1-3/32	6-3/8	3.626	1.469	3/4	HC215-45	7.23	
215-46	2-7/8												HC215-46	7.10	
215-47	2-15/16												HC215-47	6.97	
215-48	3												HC215-48	6.83	
HCP216	80												88.9	292	232
216-49	3-1/16	3-1/2	11-1/2	9-1/8	3-1/16	63/64	1-3/32	1-3/16	6-27/32	3.748	1.469	3/4	HC216-49	8.74	
216-50	3-1/8												HC216-50	8.60	
216-51	3-3/16												HC216-51	8.45	
HCP217	85												95.2	310	247
217-52	3-1/4	3-3/4	12-13/64	9-23/32	3-17/64	63/64	1-3/32	1-1/4	7-9/32	2.906	0.921	3/4	HC217-52	10.00	
217-53	3-5/16												HC217-53	9.88	
217-55	3-7/16												HC217-55	9.63	
HCP218	90												101.6	327	262
218-56	3-1/2	4	12-7/8	10-5/16	3-15/32	1-1/16	1-3/16	1-19/64	7-51/64	2.858	0.965	7/8	HC218-56	11.50	