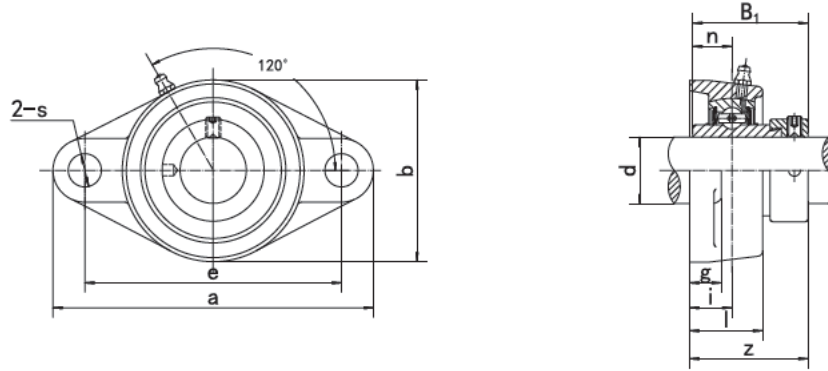


**HCFT2 (Normal-duty)**

**Flange Units (Oval)**



| Unit NO.       | Dimensions ( mm / in. ) |            |              |             |             |             |             |            |             |                |             | Bolt Size<br>mm/in. | Bearing<br>No. | Housing<br>No. | Weight<br>(kg) |
|----------------|-------------------------|------------|--------------|-------------|-------------|-------------|-------------|------------|-------------|----------------|-------------|---------------------|----------------|----------------|----------------|
|                | d                       | a          | e            | i           | g           | l           | s           | b          | z           | B <sub>1</sub> | n           |                     |                |                |                |
| <b>HCFT204</b> | <b>20</b>               | <b>112</b> | <b>89.5</b>  | <b>19</b>   | <b>11.0</b> | <b>29.0</b> | <b>10.5</b> | <b>60</b>  | <b>45.6</b> | <b>43.7</b>    | <b>17.1</b> | <b>M8</b>           | <b>HC204</b>   |                | 0.50           |
| 204-12         | 3/4                     | 4-13/32    | 3-33/64      | 3/4         | 7/16        | 1-9/64      | 27/64       | 2-3/8      | 1-51/64     | 1.720          | 0.673       | 5/16                | HC204-12       | FT204          | 0.50           |
| <b>HCFT205</b> | <b>25</b>               | <b>124</b> | <b>99.0</b>  | <b>20</b>   | <b>13</b>   | <b>31</b>   | <b>13</b>   | <b>70</b>  | <b>46.9</b> | <b>44.4</b>    | <b>17.5</b> | <b>M10</b>          | <b>HC205</b>   |                | 0.69           |
| 205-13         | 13/16                   |            |              |             |             |             |             |            |             |                |             |                     | HC205-13       | FT205          | 0.74           |
| 205-14         | 7/8                     | 4-7/8      | 3-57/64      | 25/32       | 1/2         | 1-7/32      | 33/64       | 2-3/4      | 1-27/32     | 1.748          | 0.689       | 3/8                 | HC205-14       |                | 0.73           |
| 205-15         | 15/16                   |            |              |             |             |             |             |            |             |                |             |                     | HC205-15       |                | 0.71           |
| 205-16         | 1                       |            |              |             |             |             |             |            |             |                |             |                     | HC205-16       |                | 0.69           |
| <b>HCFT206</b> | <b>30</b>               | <b>141</b> | <b>116.5</b> | <b>21</b>   | <b>13</b>   | <b>34</b>   | <b>13</b>   | <b>82</b>  | <b>51.1</b> | <b>48.4</b>    | <b>18.3</b> | <b>M10</b>          | <b>HC206</b>   |                | 0.96           |
| 206-17         | 1-1/16                  |            |              |             |             |             |             |            |             |                |             |                     | HC206-17       | FT206          | 1.01           |
| 206-18         | 1-1/8                   | 5-35/64    | 4-37/64      | 53/64       | 1/2         | 1-11/32     | 33/64       | 3-15/64    | 2-1/64      | 1.906          | 0.720       | 3/8                 | HC206-18       |                | 0.98           |
| 206-19         | 1-3/16                  |            |              |             |             |             |             |            |             |                |             |                     | HC206-19       |                | 0.96           |
| 206-20         | 1-1/4                   |            |              |             |             |             |             |            |             |                |             |                     | HC206-20       |                | 0.93           |
| <b>HCFT207</b> | <b>35</b>               | <b>156</b> | <b>130.0</b> | <b>21.5</b> | <b>14</b>   | <b>36.5</b> | <b>14</b>   | <b>95</b>  | <b>53.8</b> | <b>51.1</b>    | <b>18.8</b> | <b>M12</b>          | <b>HC207</b>   |                | 1.39           |
| 207-20         | 1-1/4                   |            |              |             |             |             |             |            |             |                |             |                     | HC207-20       | FT207          | 1.46           |
| 207-21         | 1-5/16                  | 6-9/64     | 5-1/8        | 27/32       | 35/64       | 1-7/16      | 35/64       | 3-47/64    | 2-1/8       | 2.012          | 0.740       | 7/16                | HC207-21       |                | 1.42           |
| 207-22         | 1-3/8                   |            |              |             |             |             |             |            |             |                |             |                     | HC207-22       |                | 1.39           |
| 207-23         | 1-7/16                  |            |              |             |             |             |             |            |             |                |             |                     | HC207-23       |                | 1.37           |
| <b>HCFT208</b> | <b>40</b>               | <b>171</b> | <b>143.5</b> | <b>24</b>   | <b>14</b>   | <b>39</b>   | <b>14</b>   | <b>105</b> | <b>58.9</b> | <b>56.3</b>    | <b>21.4</b> | <b>M12</b>          | <b>HC208</b>   |                | 1.74           |
| 208-24         | 1-1/2                   | 6-47/64    | 5-21/32      | 61/64       | 35/64       | 1-17/32     | 35/64       | 4-9/64     | 2-5/16      | 2.217          | 0.843       | 7/16                | HC208-24       | FT208          | 1.79           |
| 208-25         | 1-9/16                  |            |              |             |             |             |             |            |             |                |             |                     | HC208-25       |                | 1.75           |
| <b>HCFT209</b> | <b>45</b>               | <b>179</b> | <b>148.5</b> | <b>24</b>   | <b>14</b>   | <b>40</b>   | <b>16</b>   | <b>111</b> | <b>58.9</b> | <b>56.3</b>    | <b>21.4</b> | <b>M14</b>          | <b>HC209</b>   |                | 1.94           |
| 209-26         | 1-5/8                   |            |              |             |             |             |             |            |             |                |             |                     | HC209-26       | FT209          | 2.05           |
| 209-27         | 1-11/16                 | 7-3/64     | 5-55/64      | 61/64       | 35/64       | 1-37/64     | 5/8         | 4-3/8      | 2-5/16      | 2.217          | 0.843       | 1/2                 | HC209-27       |                | 2.00           |
| 209-28         | 1-3/4                   |            |              |             |             |             |             |            |             |                |             |                     | HC209-28       |                | 1.96           |
| <b>HCFT210</b> | <b>50</b>               | <b>189</b> | <b>157</b>   | <b>28.5</b> | <b>14</b>   | <b>47</b>   | <b>16</b>   | <b>116</b> | <b>66.6</b> | <b>62.7</b>    | <b>24.6</b> | <b>M14</b>          | <b>HC210</b>   |                | 2.34           |
| 210-29         | 1-13/16                 |            |              |             |             |             |             |            |             |                |             |                     | HC210-29       | FT210          | 2.49           |
| 210-30         | 1-7/8                   | 7-7/16     | 6-3/16       | 1-1/8       | 35/64       | 1-27/32     | 5/8         | 4-9/16     | 2-5/8       | 2.469          | 0.969       | 1/2                 | HC210-30       |                | 2.43           |
| 210-31         | 1-15/16                 |            |              |             |             |             |             |            |             |                |             |                     | HC210-31       |                | 2.37           |
| 210-32         | 2                       |            |              |             |             |             |             |            |             |                |             |                     | HC210-32       |                | 2.31           |
| <b>HCFT211</b> | <b>55</b>               | <b>216</b> | <b>184</b>   | <b>32</b>   | <b>20</b>   | <b>50</b>   | <b>18</b>   | <b>133</b> | <b>75.6</b> | <b>71.4</b>    | <b>27.8</b> | <b>M16</b>          | <b>HC211</b>   |                | 3.47           |
| 211-32         | 2                       |            |              |             |             |             |             |            |             |                |             |                     | HC211-32       | FT211          | 3.77           |
| 211-33         | 2-1/16                  | 8-1/2      | 7-1/4        | 1-17/64     | 25/32       | 1-31/32     | 45/64       | 5-15/64    | 2-31/32     | 2.811          | 1.094       | 5/8                 | HC211-33       |                | 3.59           |
| 211-34         | 2-1/8                   |            |              |             |             |             |             |            |             |                |             |                     | HC211-34       |                | 3.52           |
| 211-35         | 2-3/16                  |            |              |             |             |             |             |            |             |                |             |                     | HC211-35       |                | 3.44           |
| <b>HCFT212</b> | <b>60</b>               | <b>235</b> | <b>202</b>   | <b>34</b>   | <b>21</b>   | <b>53</b>   | <b>18</b>   | <b>138</b> | <b>80.8</b> | <b>77.8</b>    | <b>31</b>   | <b>M16</b>          | <b>HC212</b>   |                | 4.32           |
| 212-36         | 2-1/4                   |            |              |             |             |             |             |            |             |                |             |                     | HC212-36       | FT212          | 4.33           |
| 212-37         | 2-5/16                  | 9-1/4      | 7-61/64      | 1-9/64      | 53/64       | 2-3/32      | 45/64       | 5-7/16     | 2-3/16      | 3.063          | 1.220       | 5/8                 | HC212-37       |                | 4.39           |
| 212-38         | 2-3/8                   |            |              |             |             |             |             |            |             |                |             |                     | HC212-38       |                | 4.32           |
| 212-39         | 2-7/16                  |            |              |             |             |             |             |            |             |                |             |                     | HC212-39       |                | 4.31           |
| <b>HCFT213</b> | <b>65</b>               | <b>248</b> | <b>210</b>   | <b>38</b>   | <b>22</b>   | <b>56</b>   | <b>20.5</b> | <b>152</b> | <b>89.6</b> | <b>85.7</b>    | <b>34.1</b> | <b>M18</b>          | <b>HC213</b>   |                | 5.26           |
| 213-40         | 2-1/2                   | 9-49/64    | 8-17/64      | 1-1/2       | 55/64       | 2-13/64     | 13/16       | 5-63/64    | 3-17/32     | 3.374          | 1.343       | 23/32               | HC213-40       | FT213          | 5.36           |
| 213-41         | 2-9/16                  |            |              |             |             |             |             |            |             |                |             |                     | HC213-41       |                | 5.25           |
| <b>HCFT214</b> | <b>70</b>               | <b>257</b> | <b>216</b>   | <b>38</b>   | <b>23</b>   | <b>58</b>   | <b>23</b>   | <b>157</b> | <b>89.6</b> | <b>85.7</b>    | <b>34.1</b> | <b>M20</b>          | <b>HC214</b>   |                | 5.68           |
| 214-42         | 2-5/8                   |            |              |             |             |             |             |            |             |                |             |                     | HC214-42       | FT214          | 5.62           |
| 214-43         | 2-11/16                 | 10-7/16    | 8-1/2        | 1-1/2       | 29/32       | 2-9/32      | 29/32       | 6-3/16     | 3-17/32     | 3.374          | 1.343       | 3/4                 | HC214-43       |                | 5.81           |
| 214-44         | 2-3/4                   |            |              |             |             |             |             |            |             |                |             |                     | HC214-44       |                | 5.69           |