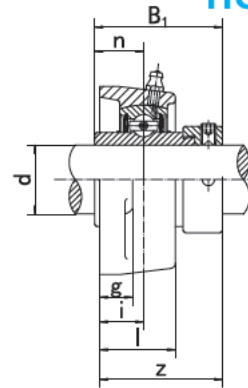
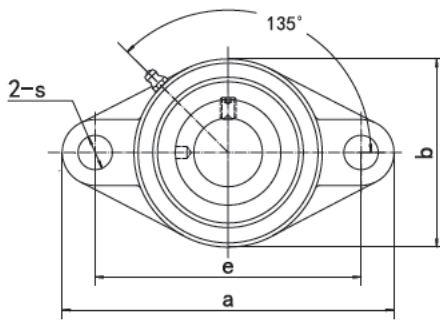


**Flange Units (Oval)**

**HCFL2 (Normal-duty)**



Unit NO.	Dimensions ( mm / in. )											Bolt Size mm/in.	Bearing No.	Housing No.	Weight (kg)
	d	a	e	i	g	l	s	b	z	B <sub>1</sub>	n				
<b>HCFL204</b> 204-12	20 3/4	113 4-7/16	90 3-35/64	15 19/32	11 7/16	25.5 1	12 15/32	60 2-3/8	41.6 1-41/64	43.7 1.720	17.1 0.673	M10 3/8	<b>HC204</b> HC204-12	FL204	0.46 0.46
<b>HCFL205</b> 205-13 205-14 205-15 205-16	25 13/16 7/8 15/16 1	130 5-1/8	99 3-57/64	16 5/8	13 1/2	27 1-1/16	16 5/8	68 2-11/16	42.9 1-11/16	44.4 1.748	17.5 0.689	M14 1/2	<b>HC205</b> HC205-13 HC205-14 HC205-15 HC205-16	FL205	0.63 0.68 0.67 0.65 0.63
<b>HCFL206</b> 206-17 206-18 206-19 206-20	30 1-1/16 1-1/8 1-3/16 1-1/4	148 5-13/16	117 4-39/64	18 45/64	13 1/2	31 1-7/32	16 5/8	80 3-5/32	48.1 1-57/64	48.4 1.906	18.3 0.720	M14 1/2	<b>HC206</b> HC206-17 HC206-18 HC206-19 HC206-20	FL206	0.90 0.95 0.92 0.90 0.87
<b>HCFL207</b> 207-20 207-21 207-22 207-23	35 1-1/4 1-5/16 1-3/8 1-7/16	161 6-11/32	130 5-1/8	19 3/4	14 35/64	34 1-11/32	16 5/8	90 3-35/64	51.3 2-1/64	51.1 2.012	18.8 0.740	M14 1/2	<b>HC207</b> HC207-20 HC207-21 HC207-22 HC207-23	FL207	1.24 1.31 1.27 1.24 1.22
<b>HCFL208</b> 208-24 208-25	40 1-1/2 1-9/16	175 6-7/8	144.0 5-43/64	21 53/64	14 35/64	36 1-13/32	16 5/8	100 3-15/16	55.9 2-13/64	56.3 2.217	21.4 0.843	M14 1/2	<b>HC208</b> HC208-24 HC208-25	FL208	1.56 1.60 1.56
<b>HCFL209</b> 209-26 209-27 209-28	45 1-5/8 1-11/16 1-3/4	188 7-13/32	148 5-53/64	22 55/64	15 19/32	38 1-1/2	19 3/4	108 4-1/4	56.9 2-15/64	56.3 2.217	21.4 0.843	M16 5/8	<b>HC209</b> HC209-26 HC209-27 HC209-28	FL209	1.88 1.99 1.94 1.90
<b>HCFL210</b> 210-29 210-30 210-31 210-32	50 1-13/16 1-7/8 1-15/16 2	197 7-3/4	157 6-3/16	22 55/64	15 19/32	40 1-37/64	19 3/4	115 4-17/32	60.1 2-23/64	62.7 2.469	24.6 0.969	M16 5/8	<b>HC210</b> HC210-29 HC210-30 HC210-31 HC210-32	FL210	2.21 2.36 2.30 2.24 2.18
<b>HCFL211</b> 211-32 211-33 211-34 211-35	55 2 2-1/16 2-1/8 2-3/16	224 8-13/16	184 7-1/4	25 63/64	18 23/32	43 1-11/16	19 3/4	130 5-1/8	68.6 2-45/64	71.4 2.811	27.8 1.094	M16 5/8	<b>HC211</b> HC211-32 HC211-33 HC211-34 HC211-35	FL211	3.06 3.36 3.18 3.11 3.03
<b>HCFL212</b> 212-36 212-37 212-38 212-39	60 2-1/4 2-5/16 2-3/8 2-7/16	250 9-27/32	202 7-16/64	29 1-9/64	18 23/32	48 1-7/8	23 29/32	140 5-1/2	75.8 2-63/64	77.8 3.063	31 1.220	M20 3/4	<b>HC212</b> HC212-36 HC212-37 HC212-38 HC212-39	FL212	3.97 3.99 4.04 3.97 3.96
<b>HCFL213</b> 213-40 213-41	65 2-1/2 2-9/16	258 10-5/32	210 8-17/64	30 1-3/16	22 7/8	50 1-31/32	23 29/32	155 6-3/32	81.6 3-7/32	85.7 3.374	34.1 1.343	M20 3/4	<b>HC213</b> HC213-40 HC213-41	FL213	5.10 5.20 5.09
<b>HCFL214</b> 214-42 214-43 214-44	70 2-5/8 2-11/16 2-3/4	265 10-7/16	216 8-1/2	31 1-7/32	22 7/8	54 2-1/8	23 29/32	160 6-5/16	82.6 3-1/4	85.7 3.374	34.1 1.343	M20 3/4	<b>HC214</b> HC214-42 HC214-43 HC214-44	FL214	5.53 5.47 5.66 5.54
<b>HCFL215</b> 215-45 215-46 215-47 215-48	75 2-13/16 2-7/8 2-15/16 3	275 10-13/16	225 8-55/64	34 1-11/32	22 7/8	56 2-7/32	23 29/32	165 6-1/2	88.8 3-1/2	92.1 3.626	37.3 1.469	M20 3/4	<b>HC215</b> HC215-45 HC215-46 HC215-47 HC215-48	FL215	6.09 6.39 6.26 6.13 5.99
<b>HCFL216</b> 216-49 216-50 216-51	80 3-1/16 3-1/8 3-3/16	290 11-13/32	233 9-11/64	34 1-11/32	22 7/8	58 2-9/32	25 63/64	180 7-3/32	91.9 3-5/8	95.2 3.748	37.3 1.469	M22 7/8	<b>HC216</b> HC216-49 HC216-50 HC216-51	FL216	7.59 7.79 7.65 7.50
<b>HCFL217</b> 217-52 217-53 217-55	85 3-1/4 3-5/16 3-7/16	305 9-27/32	248 5-51/64	36 23/32	24 1-25/32	63 7.0866	25 29/32	190 7-15/32	86.4 3-13/32	73.8 2.906	23.4 0.921	M22 7/8	<b>HC217</b> HC217-52 HC217-53 HC217-55	FL217	8.52 8.71 8.59 8.34
<b>HCFL218</b> 218-56	90 3-1/2	320 12-19/32	265 10-7/16	40 1-37/64	24 15/16	68 2-11/16	25 63/64	205 8-1/16	88.1 8-15/32	72.6 3.7795	24.5 1.5630	M22 7/8	<b>HC218</b> HC218-56	FL218	9.95 10.04